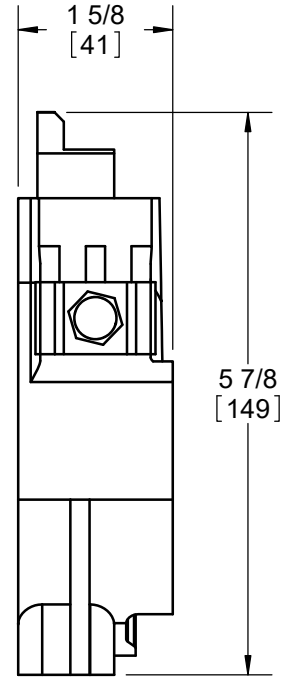
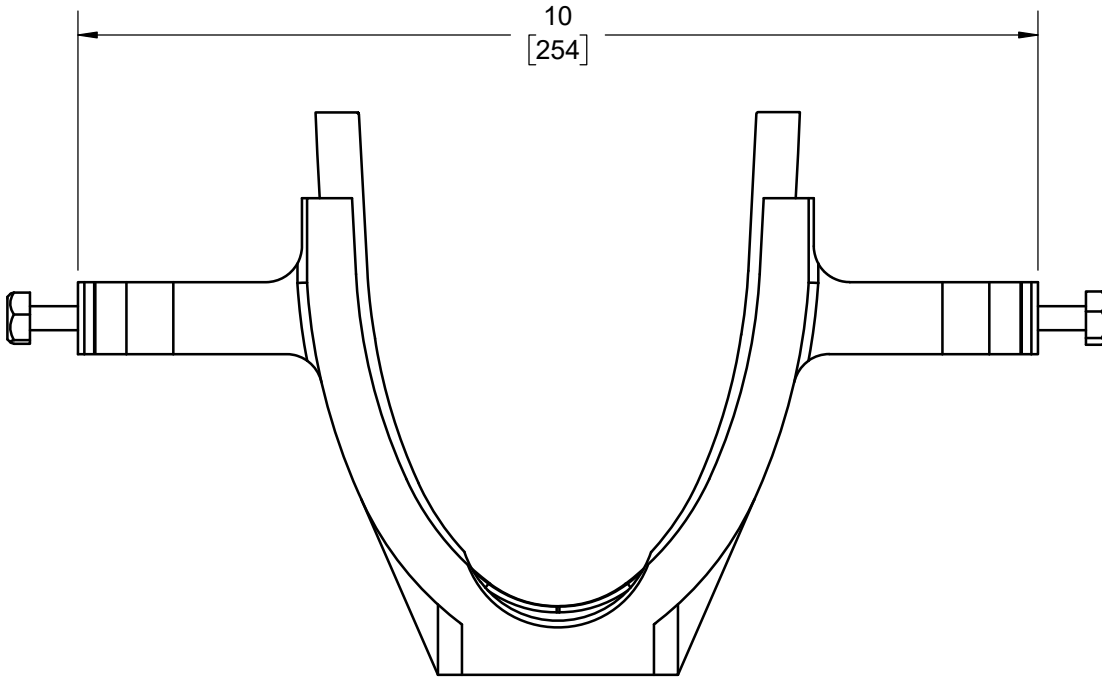
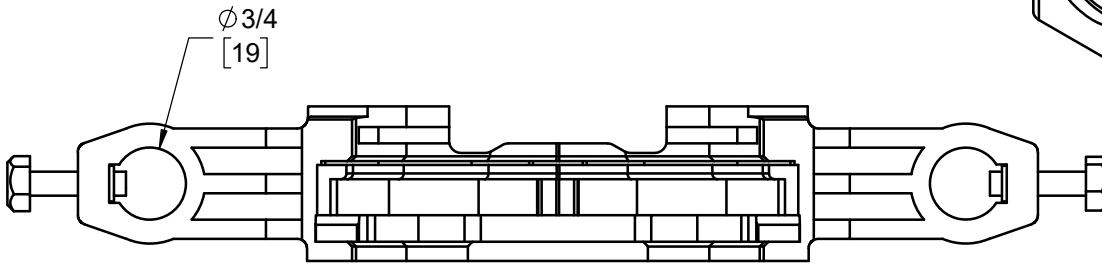
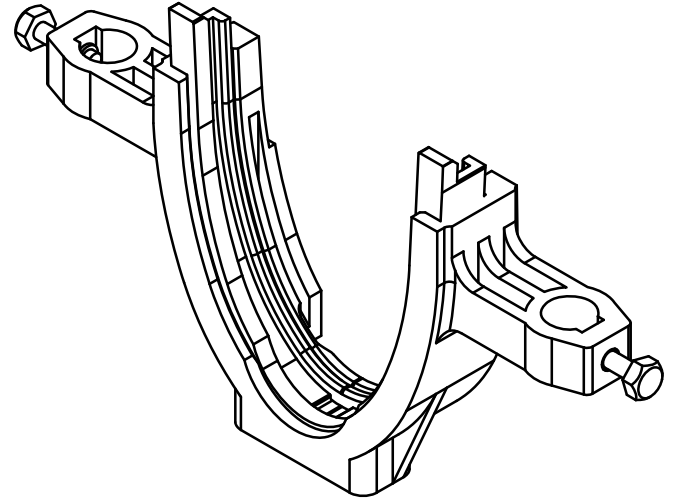


SPECIFICATION:

JOSAM 100-BSW MALE END SUPPORT BRACKET FOR PRO-PLUS 100C 4" INTERNAL WIDTH TRENCH CHANNELS. MADE WITH PVC MATERIAL TO SUPPORT THE MALE END OF ANY CHANNEL SECTION AND WITH VERTICAL HOLES TO SECURE TO REBAR (5/8" MAX) OR THREADED ROD WITH BOLTS (SUPPLIED).

**PRO-PLUS
MALE END SUPPORT
BRACKET 100C**

SERIES **100-BSW**



WARNING: Cancer and Reproductive Harm - www.P65Warnings.ca.gov

DATE OF LAST CHANGE: 05/17/21

DIMENSIONS ARE SUBJECT TO MANUFACTURERS TOLERANCES AND CHANGE WITHOUT NOTICE. WE CAN ASSUME NO RESPONSIBILITY FOR USE OF SUPERSEDED OR VOID DATA.



NOTES