

SPECIFICATION:

JOSAM 100-DIS-C-PS EPOXY-COATED, DUCTILE IRON SLOTTED GRATE WITH PRO-SNAP™ SECUREMENT. DESIGNED TO FIT PRO-PLUS™ 100 SIZE CHANNEL. MEETS ADA AND HEELPROOF SLOT REQUIREMENTS.

TRENCH DRAIN GRATE

PRO-PLUS™ 100

SERIES **100-DIS-C-PS**

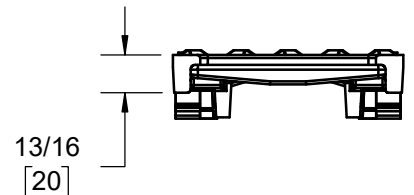
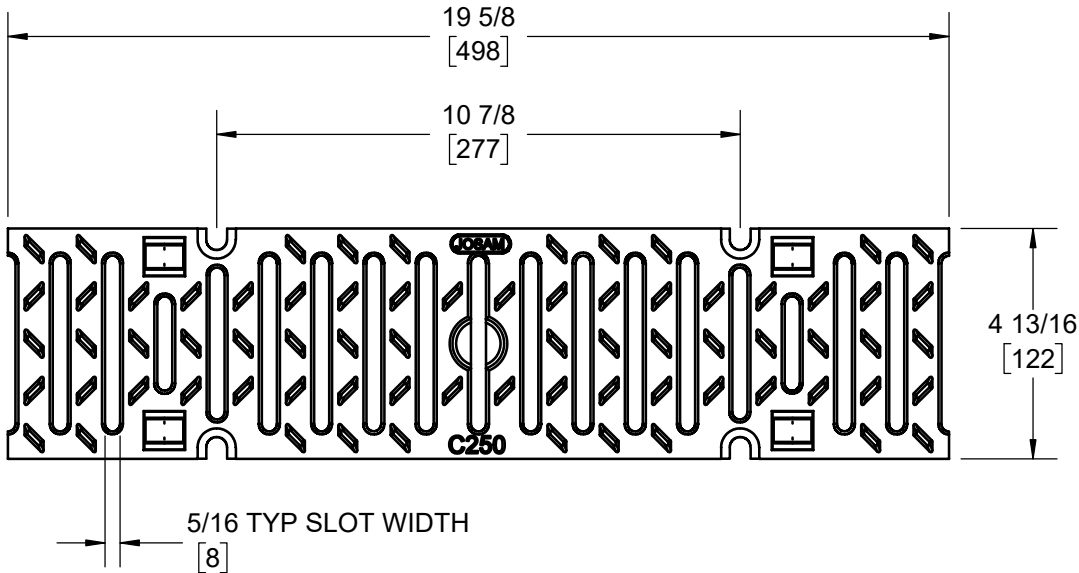
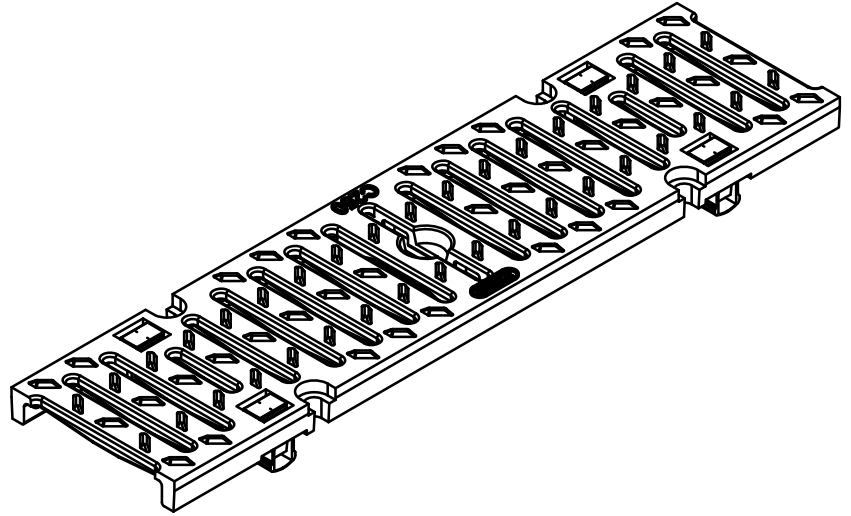
LOAD RATINGS EN/DIN: C H20: Y

NOTE:

FREE AREA IS 19 SQ. IN.
PER 1/2 METER GRATE

OPTIONS:

MADE IN USA



WARNING: Cancer and Reproductive Harm - www.P65Warnings.ca.gov

DATE OF LAST CHANGE: 5/19/23 JTJ

DIMENSIONS ARE SUBJECT TO MANUFACTURERS TOLERANCES AND CHANGE WITHOUT NOTICE. WE CAN ASSUME NO RESPONSIBILITY FOR USE OF SUPERSEDED OR VOID DATA.



MICHIGAN CITY, INDIANA

NOTES