

SPECIFICATION:

JOSAM 100-DIS-C EPOXY COATED, DUCTILE IRON SLOTTED GRATE WITH CENTER HOLE FOR LOCKING BAR SECUREMENT AND FOUR POINT LOCK CAPABILITY. -PS OPTION PROVIDES PRO-SNAP™ SECUREMENT (SEE 100-DIS-C-PS SUBMITTAL). DESIGNED TO FIT PROPLUS 100 SIZE CHANNEL. MEETS ADA AND HEELPROOF SLOT REQUIREMENTS.

TRENCH DRAIN GRATE

PRO-PLUS™ 100

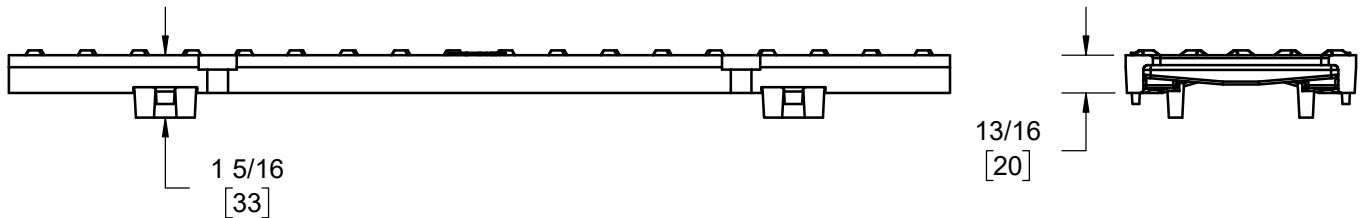
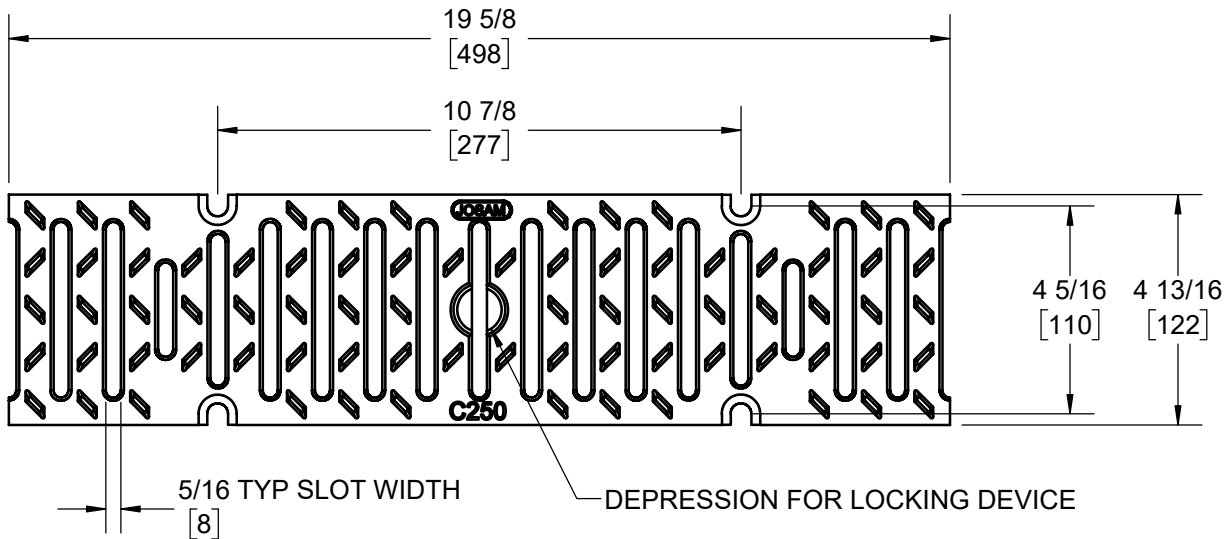
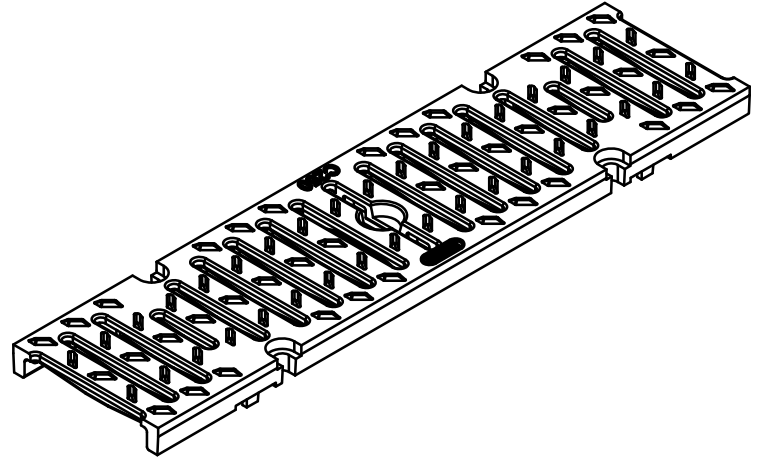
SERIES **100-DIS-C**

LOAD RATINGS EN/DIN: C H20:Y

NOTE:
FREE AREA IS 19 SQ. IN.
PER 1/2 METER GRATE

OPTIONS:

MADE IN USA



LOCKING BAR (ORDER SEPERATELY)	360141
BOLT DOWN (ORDER SEPERATELY)	360143

WARNING: Cancer and Reproductive Harm - www.P65Warnings.ca.gov

DATE OF LAST CHANGE: 5/19/23 JTJ

DIMENSIONS ARE SUBJECT TO MANUFACTURERS TOLERANCES AND CHANGE WITHOUT NOTICE. WE CAN ASSUME NO RESPONSIBILITY FOR USE OF SUPERSEDED OR VOID DATA.



MICHIGAN CITY, INDIANA

NOTES