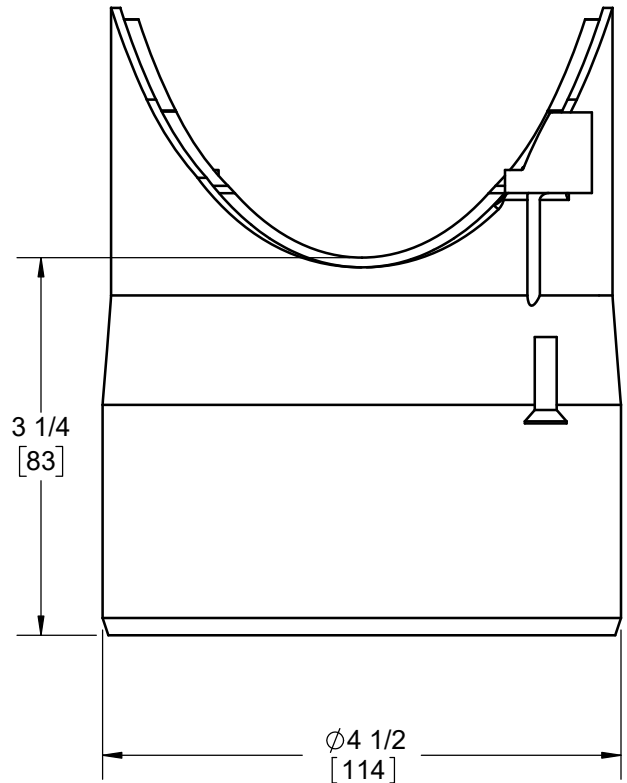
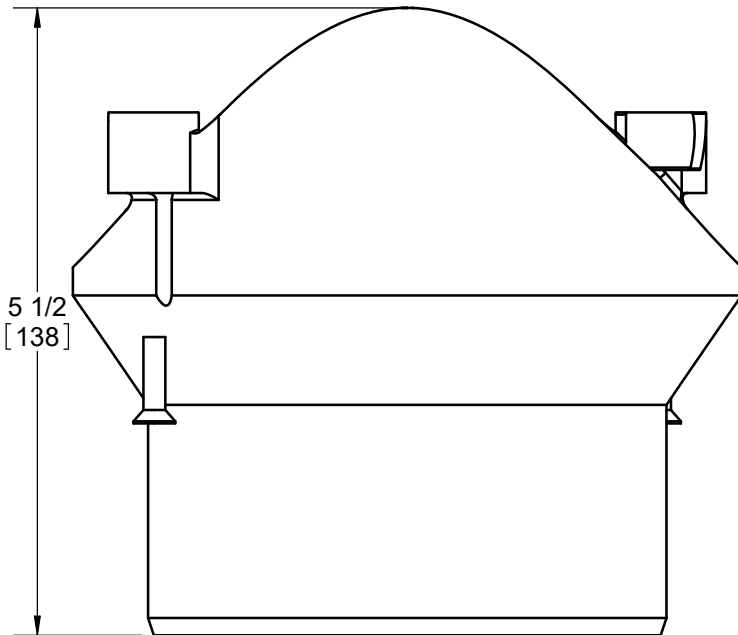
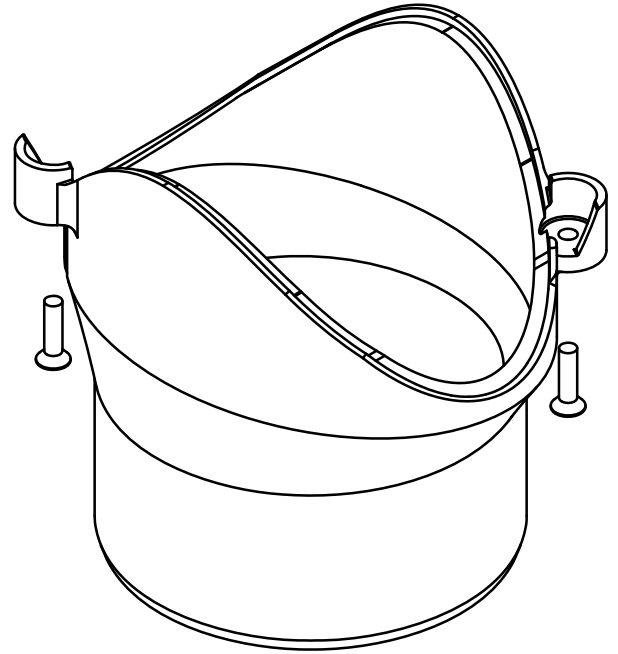


SPECIFICATION:

JOSAM 100-OB4 BOTTOM OUTLET FOR 100C 4" INTERNAL WIDTH TRENCH CHANNELS. MADE WITH PVC MATERIAL DESIGNED TO FIT BOTTOM OF 100C CHANNEL WITH 2 SCREWS (SUPPLIED) AND CONNECT WITH STANDARD 4" PVC FITTINGS. RATED TO 140°F.

PRO-PLUS
BOTTOM OUTLET 4" 100C

SERIES **100-OB4**



| | | |
|--|-----|--|
| | -HT | HIGH TEMPERATURE CPVC MATERIAL RATED TO 212° F |
|--|-----|--|

WARNING: Cancer and Reproductive Harm - www.P65Warnings.ca.gov

DATE OF LAST CHANGE: 05/17/21

DIMENSIONS ARE SUBJECT TO MANUFACTURERS TOLERANCES AND CHANGE WITHOUT NOTICE. WE CAN ASSUME NO RESPONSIBILITY FOR USE OF SUPERSEDED OR VOID DATA.

JOSAM
 MICHIGAN CITY, INDIANA

NOTES