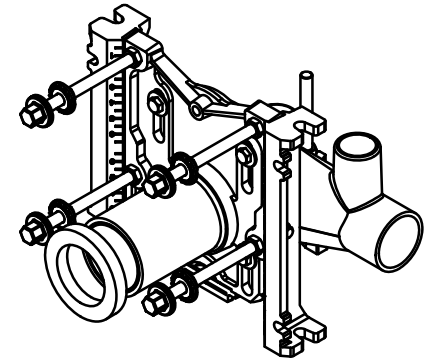
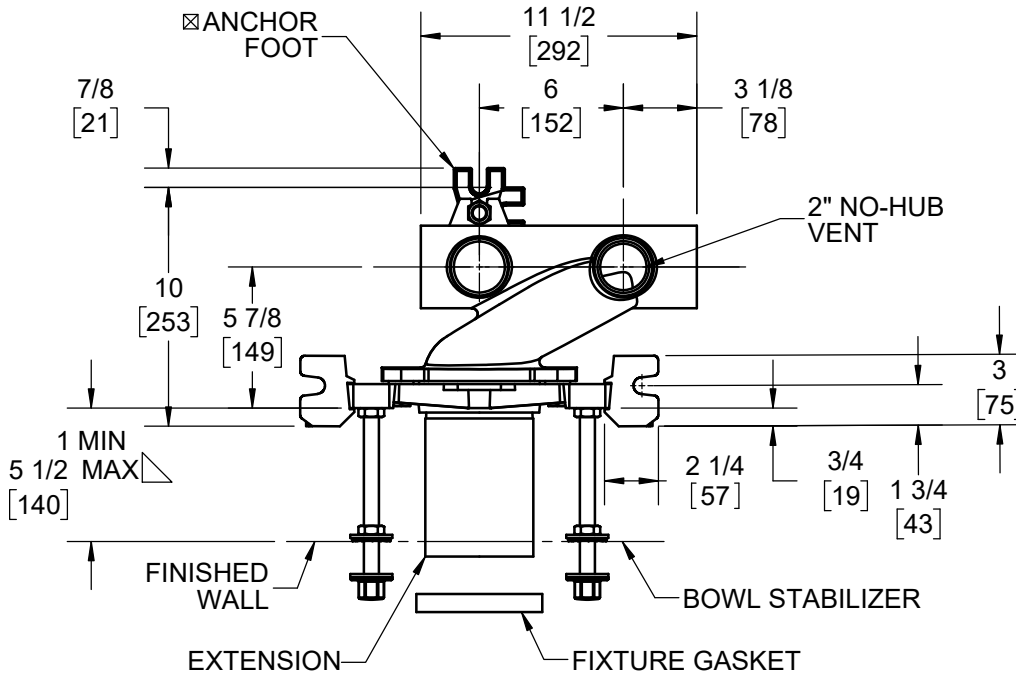


SPECIFICATION:

JOSAM 12673 SERIES COATED CAST IRON SINGLE HORIZONTAL 3" NO-HUB LEFT-HAND OFFSET FITTING WITH 2" NO-HUB VENT AND ADJUSTABLE CARRIER BODY, INVERTIBLE FOR SIPHON JET OR BLOWOUT CLOSETS, WITH ABS EXTENSION WITH INTEGRAL TEST CAP, PYLON FEET, ANCHOR FOOT, PLATED HARDWARE AND NEOPRENE FIXTURE GASKET CAPABLE OF 500 LBS CAPACITY.

**CLOSET CARRIER
LEFT HAND**

SERIES **12673**



△ FOR DIMENSION SHORTER THAN 5-1/2" (1" MIN) CUT EXTENSION. FOR LONGER EXTENSION (10-1/2" MAX) SPECIFY (-10).

☒ RECOMMEND FEET BE SECURED TO FLOOR WITH 1/2" BOLTS AND ANCHORS (BY OTHERS).

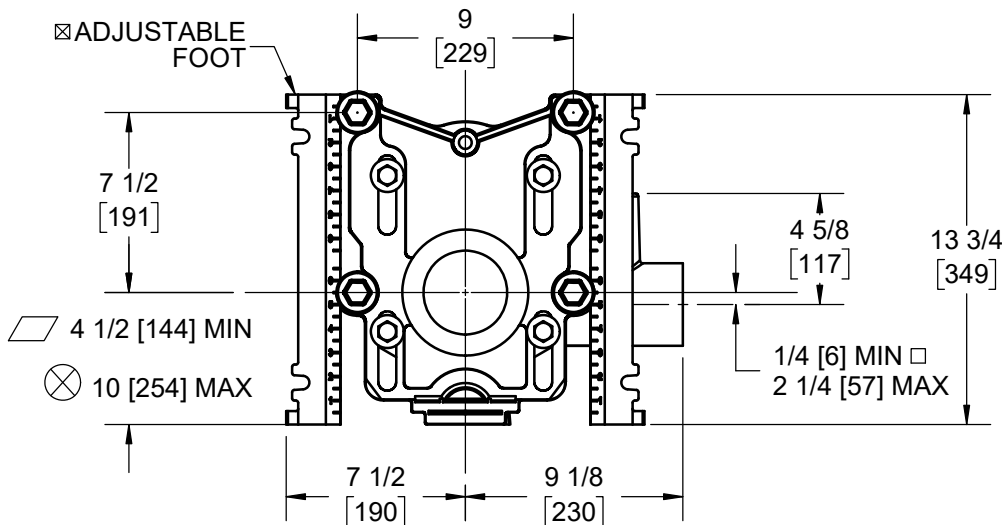
⊗ FOR SIPHON JET ROUGHING OVER 6" OR BLOWOUT ROUGHING OVER 12-1/2" SPECIFY ON ORDER.

SIPHON JET DIMS SHOWN. FOR BLOWOUT DIMS, USE:

□ MIN 2 & MAX 4

▱ MIN 11 & MAX 16 1/2

⊙ AUX INLET IS 6" OFFSET FROM VENT



-PF	NPT FCPLT AND EXT - STD
-OR	O-RING FCPLT AND EXT
-CR	COMP. RING FCPLT AND EXT
-PAF	PREFAB ADJUSTABLE FOOT
-AUX	⊙ AUXILIARY INLET (2" NO-HUB)
-VP	VANDAL-PROOF TRIM
-1	POSITIONING FRAME
-SDH	SPECIAL DUTY HIGH 750 LB CARRIER

-XSD	EXTRA SPECIAL DUTY 1,000 LB CARRIER
-6	SUPPLY PIPE SUPPORT (SPECIFY TYPE OF PIPE)
-10	ABS EXTENSION THROUGH 10-1/2" WALL
-24	FLOOR MOUNTED BACK OUTLET CHINA BOWL
-30	CAST IRON ADJ. EXTENSION W/ CONNECTOR
-30-2	CAST IRON ADJ. EXTENSION W/ CONNECTOR & TEST CAP
-32	CARRIER FOR WIDE CHASE INSTALLATIONS
-35	CARRIER FOR WHEELCHAIR HIGH ROUGH

DATE OF LAST CHANGE: 10/17/22

DIMENSIONS ARE SUBJECT TO MANUFACTURERS TOLERANCES AND CHANGE WITHOUT NOTICE. WE CAN ASSUME NO RESPONSIBILITY FOR USE OF SUPERSEDED OR VOID DATA.

JOSAM
MICHIGAN CITY, INDIANA

NOTES