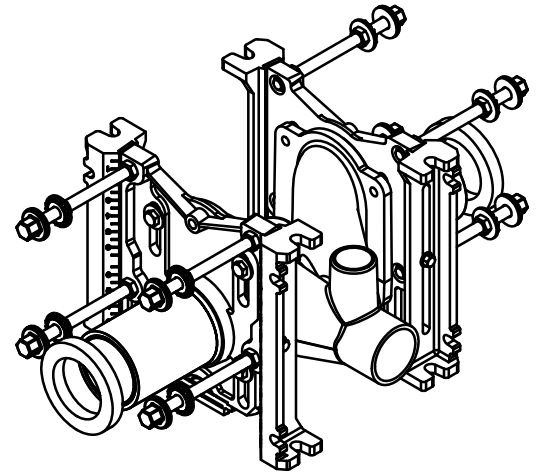
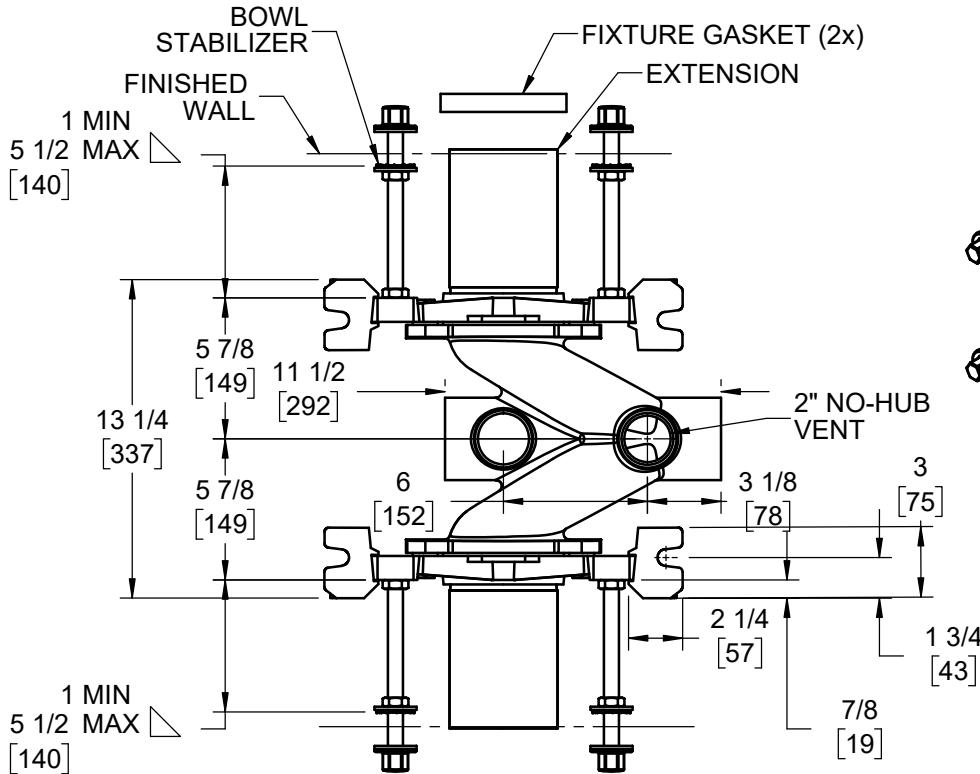


SPECIFICATION:

JOSAM 12693 SERIES COATED CAST IRON DOUBLE HORIZONTAL 3" NO-HUB FITTING WITH 2" NO-HUB VENT AND ADJUSTABLE CARRIER BODY, ABS EXTENSION WITH INTEGRAL TEST CAP, PYLON FEET, PLATED HARDWARE AND NEOPRENE FIXTURE GASKET, INVERTIBLE FOR SIPHON JET OR BLOWOUT CLOSETS. CARRIER MEETS ASME REQUIREMENTS AT 500 LBS.

**CLOSET CARRIER
BACK-TO-BACK**

SERIES **12693**



△ FOR DIMENSION SHORTER THAN 5-1/2" (1" MIN), CUT EXTENSION. FOR LONGER EXTENSION (10-1 1/2" MAX), SPECIFY (-10)

☒ FEET TO BE SECURED TO FLOOR WITH 1/2" BOLTS AND ANCHORS (BY OTHERS).

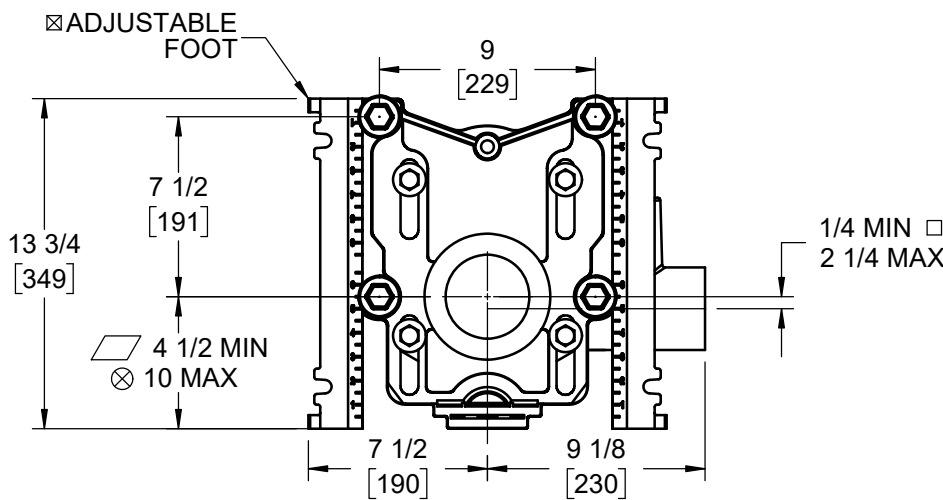
⊗ FOR SIPHON JET ROUGHING OVER 6" OR BLOWOUT ROUGHING OVER 12-1/2" SPECIFY ON ORDER.

SIPHON JET DIMS SHOWN. FOR BLOWOUT DIMS, USE:

□ MIN 2" & MAX 4"

▱ MIN 11" & MAX 16 1/2"

⊙ AUX INLET IS 6" OFFSET FROM VENT



-XSD	EXTRA SPECIAL DUTY 1,000 LB CARRIER
-PF	NPT FCPLT AND EXT - STD
-OR	O-RING FCPLT AND EXT
-CR	COMP. RING FCPLT AND EXT
-PAF	PREFAB ADJUSTABLE FOOT
-AUX	AUXILIARY INLET (2" NO-HUB)
-VP	VANDAL-PROOF TRIM
-1	POSITIONING FRAME

-6	SUPPLY PIPE SUPPORT (SPECIFY TYPE OF PIPE)
-10	ABS EXTENSION THROUGH 10-1/2" WALL
-24	FLOOR MOUNTED BACK OUTLET CHINA BOWL
-30	CAST IRON ADJ. EXTENSION W/ CONNECTOR
-30-2	CI ADJ. EXTENSION W/ CONNECTOR & TEST CAP
-32	CARRIER FOR WIDE CHASE INSTALLATIONS
-35	CARRIER FOR WHEELCHAIR HIGH ROUGH
-SDH	SPECIAL DUTY HIGH 750 LB CARRIER

DATE OF LAST CHANGE: 10/24/22

DIMENSIONS ARE SUBJECT TO MANUFACTURERS TOLERANCES AND CHANGE WITHOUT NOTICE. WE CAN ASSUME NO RESPONSIBILITY FOR USE OF SUPERSEDED OR VOID DATA.

JOSAM
MICHIGAN CITY, INDIANA

NOTES

WARNING: Cancer and Reproductive Harm - www.P65Warnings.ca.gov