

SPECIFICATION:

JOSAM 17100-67 SERIES FLOOR-MOUNTED, SINGLE WHEELCHAIR LAVATORY CARRIER WITH CONCEALED ARMS, LEVELING AND SECURING SCREWS, STRUCTURAL UPRIGHTS, AND WELDED FEET.

WHEELCHAIR LAV CARRIER

**FLOOR-MOUNT
CONCEALED ARM**

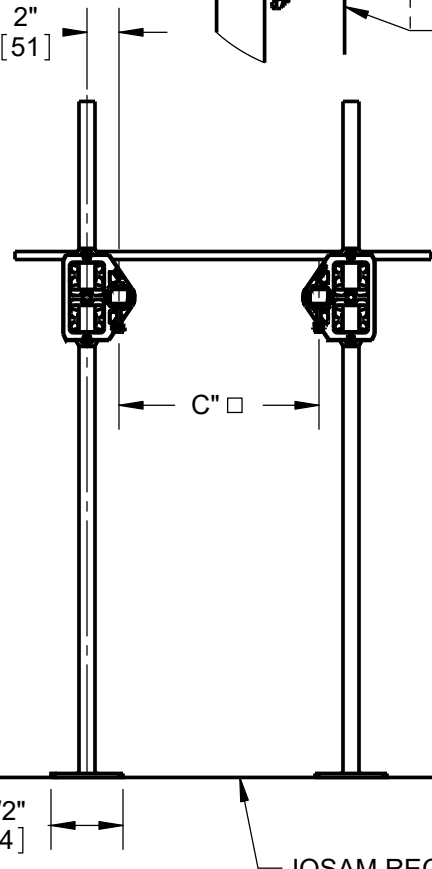
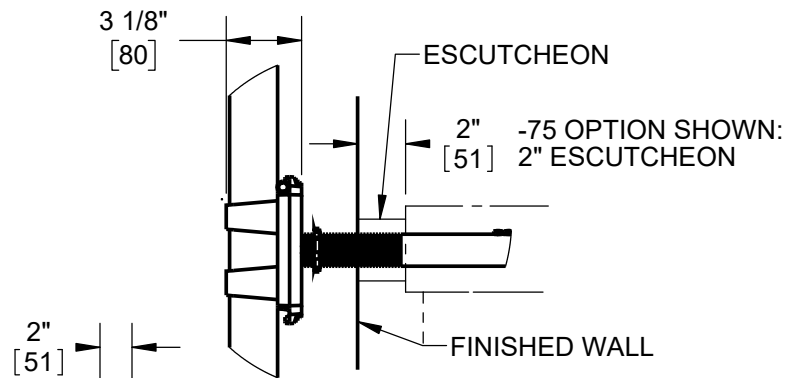
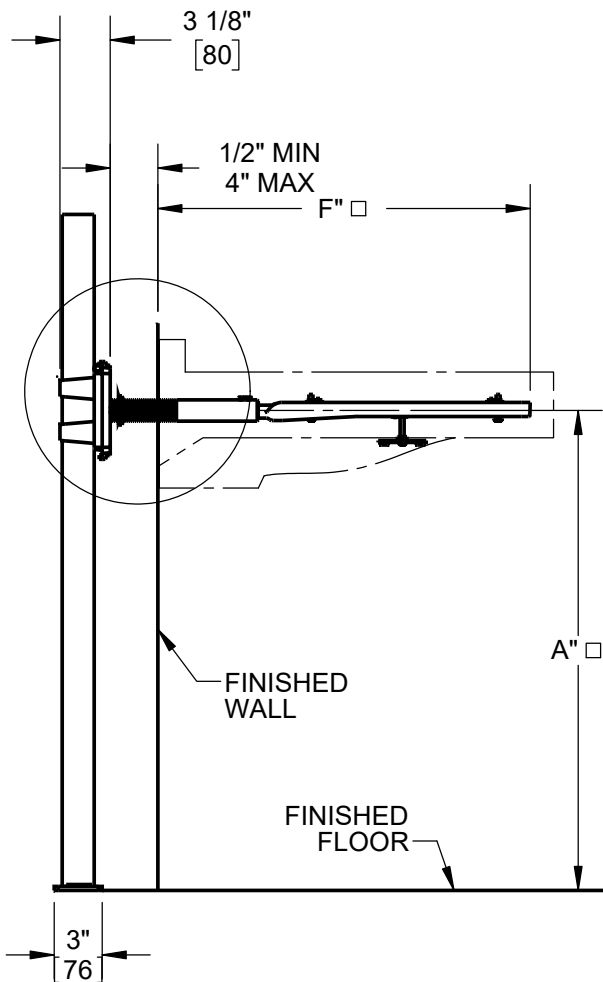
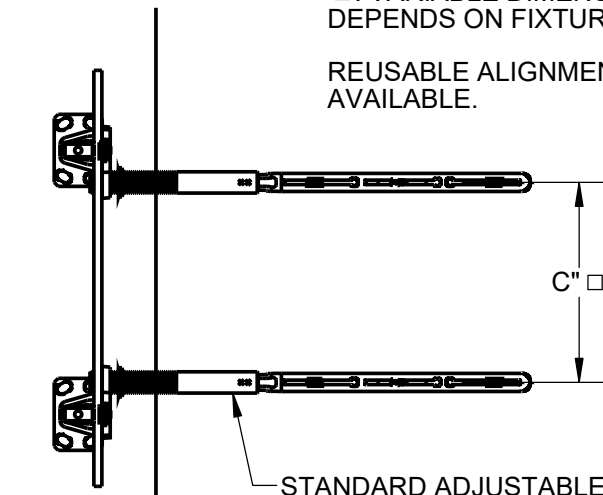
SERIES 17100-67

□: VARIABLE DIMENSION.
DEPENDS ON FIXTURE.

REUSABLE ALIGNMENT TOOL
AVAILABLE.

STANDARD ADJUSTABLE
SLEEVE 10-1/2"

-BB	BACK-TO-BACK CARRIER (SEPARATE SUBMITTAL FOR THIS OPTION AVAILABLE)
-10	EXTENSION SLEEVES LONGER THAN STANDARD (SPECIFY WALL THICKNESS)
-60	VALVE PLATE FOR ATTACHING TO UPRIGHT
X -67	CONCEALED ARM CARRIER FOR WHEELCHAIR LAVATORY
-75	2" CHROME PLATED ESCUTCHEONS
-76	4" CHROME PLATED ESCUTCHEONS
-77	6" CHROME PLATED ESCUTCHEONS



MANUFACTURER _____

NUMBER _____

SIZE _____

NAME _____

DIMENSIONS

A _____

C _____

F _____

RIM HEIGHT
BASED ON "A" DIM SHOWN

JOSAM RECOMMENDS THAT ALL FEET
BE SECURED TO FLOOR WITH 1/2"
BOLTS AND ANCHORS BY OTHERS

WARNING: Cancer and Reproductive Harm - www.P65Warnings.ca.gov

DATE OF LAST CHANGE: 02/15/24 BLK

DIMENSIONS ARE SUBJECT TO MANUFACTURERS
TOLERANCES AND CHANGE WITHOUT NOTICE.
WE CAN ASSUME NO RESPONSIBILITY FOR
USE OF SUPERSEDED OR VOID DATA.

JOSAM
MICHIGAN CITY, INDIANA

NOTES