

SPECIFICATION:

JOSAM 17100-K165-AS150 SERIES FLOOR-MOUNTED, SINGLE LAVATORY CARRIER WITH MODIFIED CONCEALED ARMS, LEVELING AND SECURING SCREWS (TWO OF WHICH ARE 4" LONG), STRUCTURAL UPRIGHTS, AND WELDED FEET.

LAVATORY CARRIER

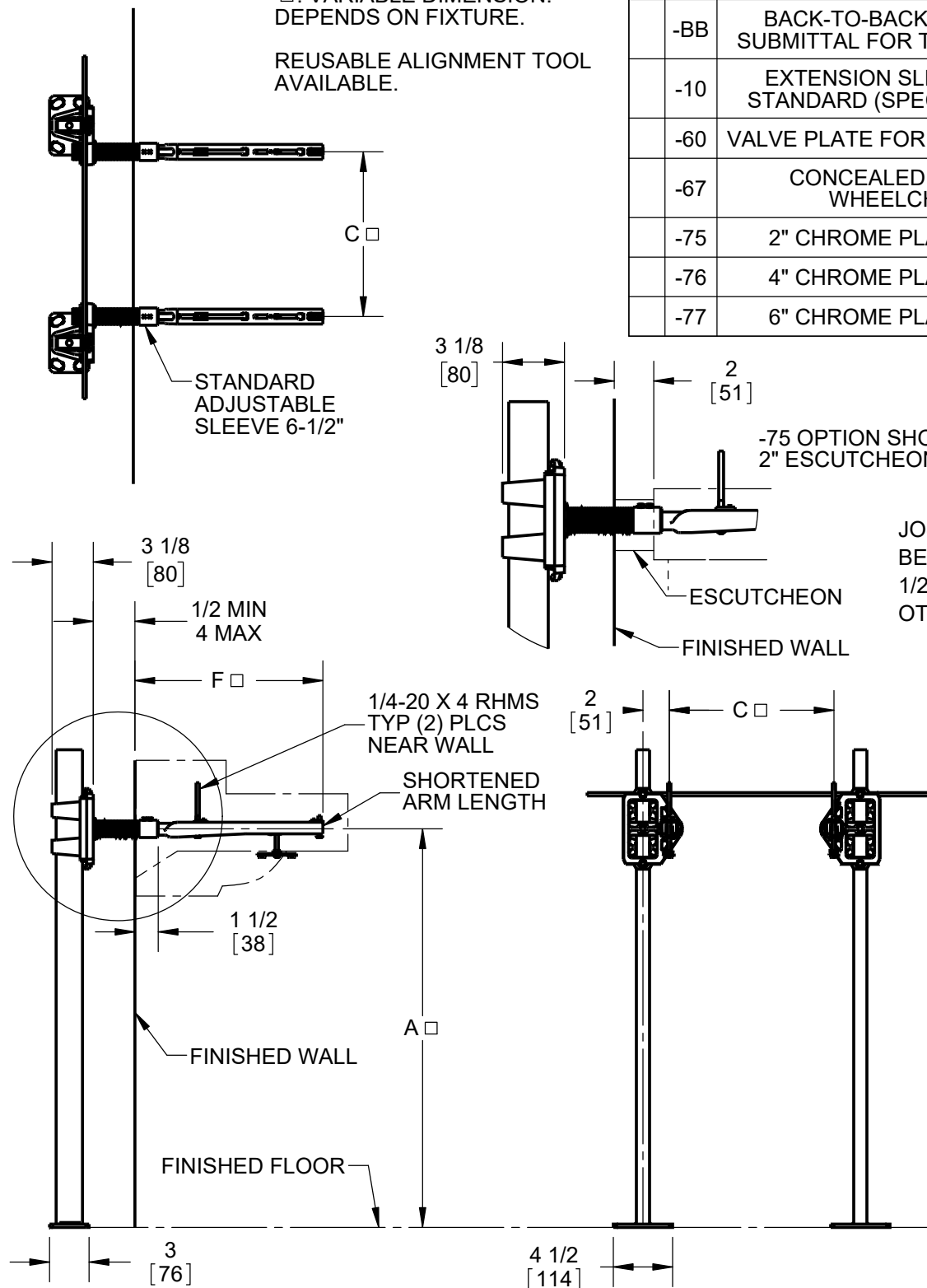
**FLOOR-MOUNT
CONCEALED ARM**

SERIES 17100-K165-AS150

□: VARIABLE DIMENSION.
DEPENDS ON FIXTURE.

REUSABLE ALIGNMENT TOOL
AVAILABLE.

-BB	BACK-TO-BACK CARRIER (SEPARATE SUBMITTAL FOR THIS OPTION AVAILABLE)
-10	EXTENSION SLEEVES LONGER THAN STANDARD (SPECIFY WALL THICKNESS)
-60	VALVE PLATE FOR ATTACHING TO UPRIGHT
-67	CONCEALED ARM CARRIER FOR WHEELCHAIR LAVATORY
-75	2" CHROME PLATED ESCUTCHEONS
-76	4" CHROME PLATED ESCUTCHEONS
-77	6" CHROME PLATED ESCUTCHEONS



JOSAM RECOMMENDS FEET
BE SECURED TO FLOOR WITH
1/2" BOLTS AND ANCHORS BY
OTHERS

MANUFACTURER

NUMBER

SIZE

NAME

DIMENSIONS

A _____

C _____

F _____

RIM HEIGHT
BASED ON "A" DIM SHOWN

PRODUCT IS NON-CANCELABLE
AND NON-RETURNABLE

NAME: _____ SIGNATURE: _____ DATE: _____

REF. DRAWING A-08201-K

DATE OF LAST CHANGE: 3/22/23 BT

DIMENSIONS ARE SUBJECT TO MANUFACTURERS
TOLERANCES AND CHANGE WITHOUT NOTICE.
WE CAN ASSUME NO RESPONSIBILITY FOR
USE OF SUPERSEDED OR VOID DATA.



MICHIGAN CITY, INDIANA

NOTES

WARNING: Cancer and Reproductive Harm - www.P65Warnings.ca.gov