

SPECIFICATION:

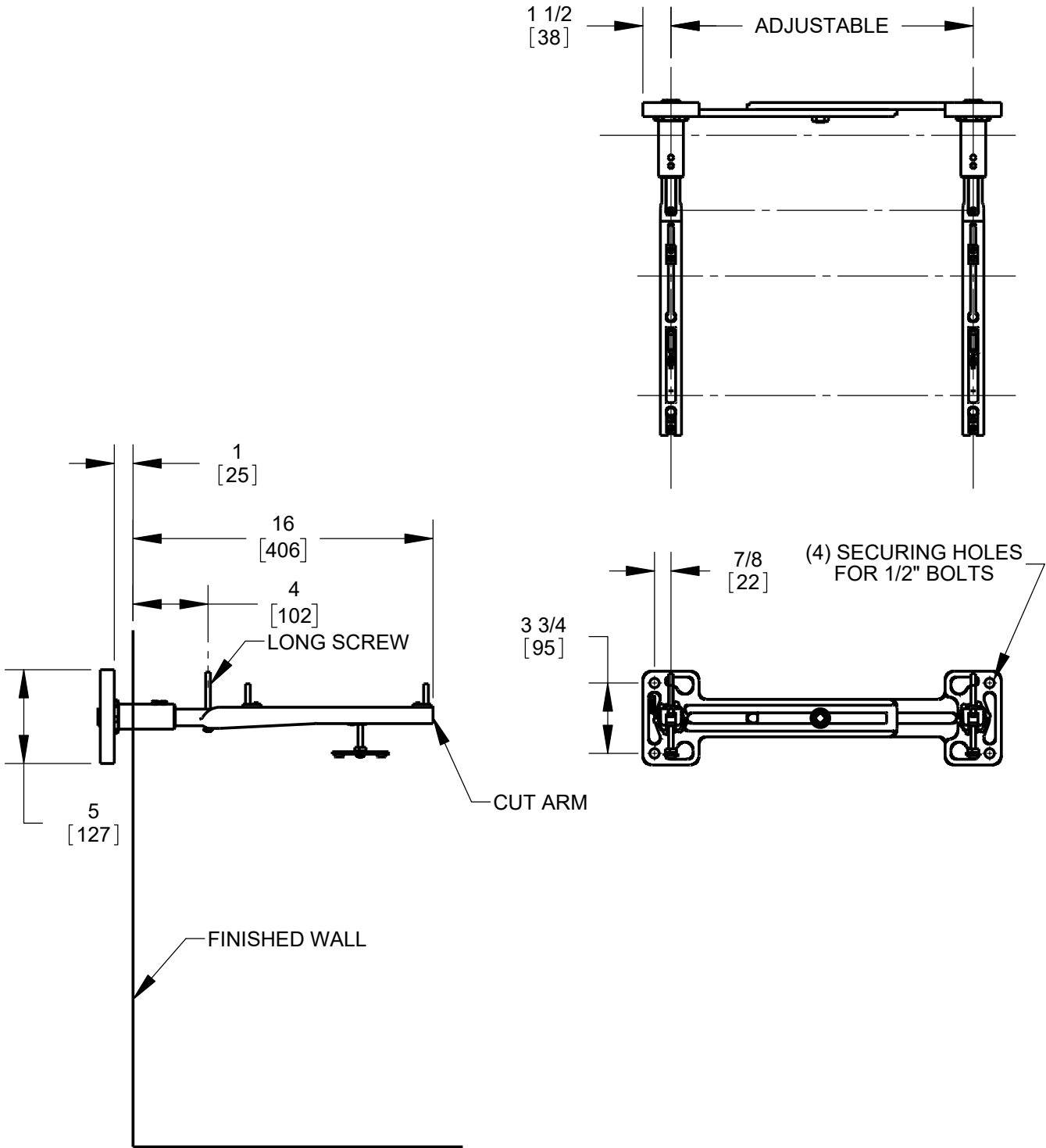
JOSAM 17120 SERIES WALL-MOUNTED, SINGLE LAVATORY CARRIER WITH CONCEALED ARMS, LEVELING AND SECURING SCREWS, AND ADJUSTABLE WALL PLATE

LAVATORY CARRIER

**WALL-MOUNT
CONCEALED ARM**

SERIES **17120-202-H**

REF. NO.: M1456



WARNING: Cancer and Reproductive Harm - www.P65Warnings.ca.gov

DATE OF LAST CHANGE: 02/22/21

DIMENSIONS ARE SUBJECT TO MANUFACTURERS TOLERANCES AND CHANGE WITHOUT NOTICE. WE CAN ASSUME NO RESPONSIBILITY FOR USE OF SUPERSEDED OR VOID DATA.

JOSAM
MICHIGAN CITY, INDIANA

NOTES