

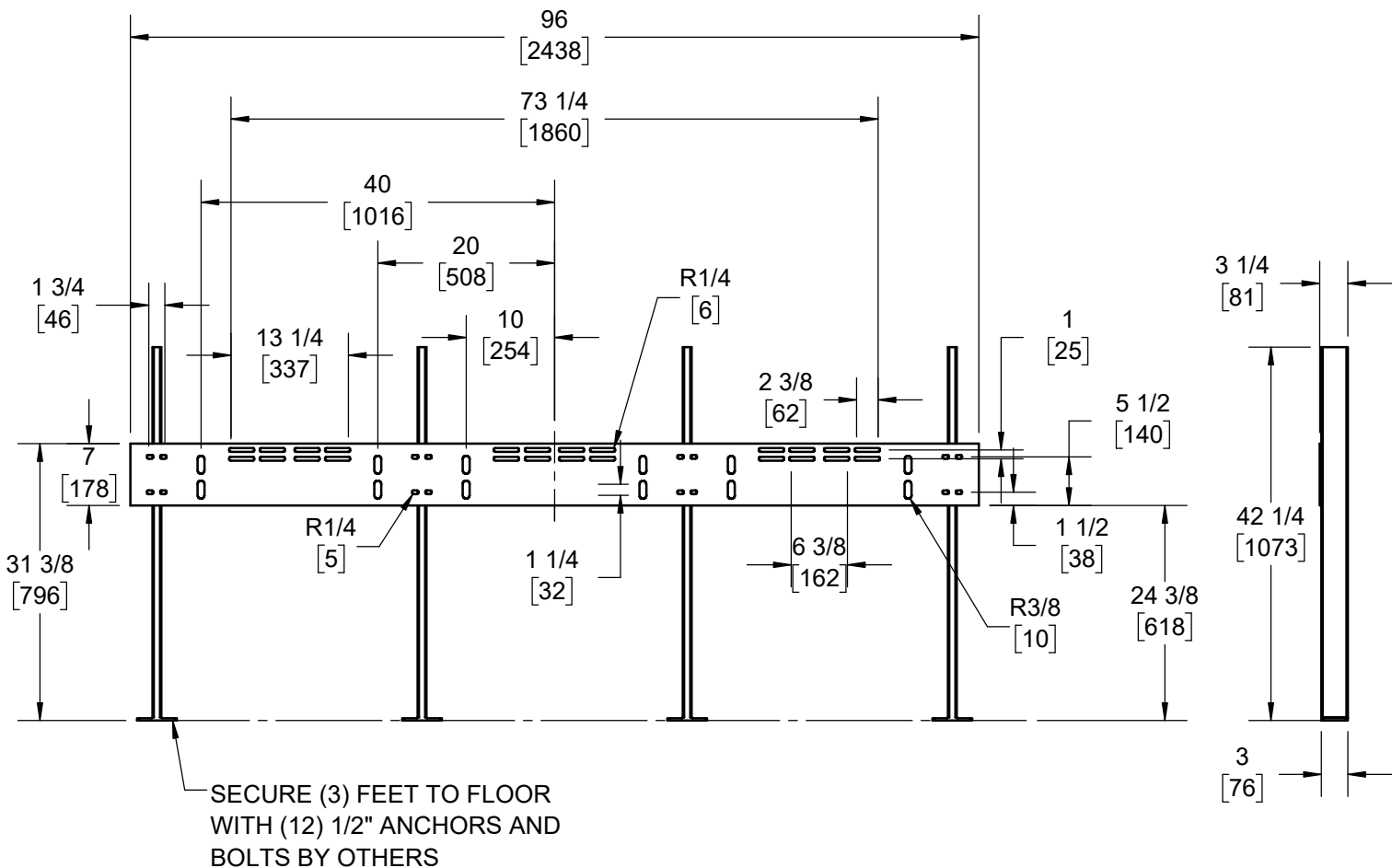
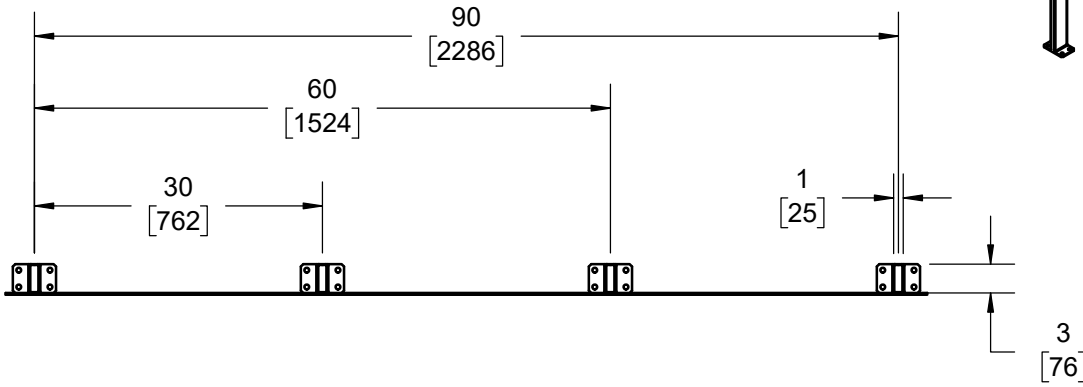
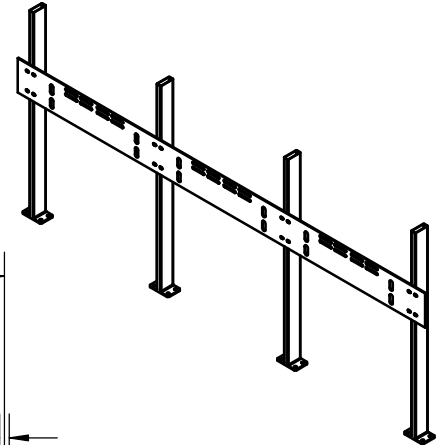
SPECIFICATION:

JOSAM 17550 SERIES FLOOR MOUNTED LAVATORY CARRIER WITH ATTACHMENT PLATE, ADJUSTABLE SUPPORTING RODS, STRUCTURAL UPRIGHTS, AND WELDED FEET.

**FIXTURE CARRIER
FLOOR MOUNT**

SERIES **17750-M1771**

CARRIER DESIGNED FOR USE WITH ZURN 5001.03 AND 5006.03 LAVATORIES



NOTE:
HARDWARE IS NOT SHOWN

WARNING: Cancer and Reproductive Harm - www.P65Warnings.ca.gov

DATE OF LAST CHANGE: 8/13/21

DIMENSIONS ARE SUBJECT TO MANUFACTURERS TOLERANCES AND CHANGE WITHOUT NOTICE. WE CAN ASSUME NO RESPONSIBILITY FOR USE OF SUPERSEDED OR VOID DATA.



MICHIGAN CITY, INDIANA

NOTES