

SPECIFICATION:

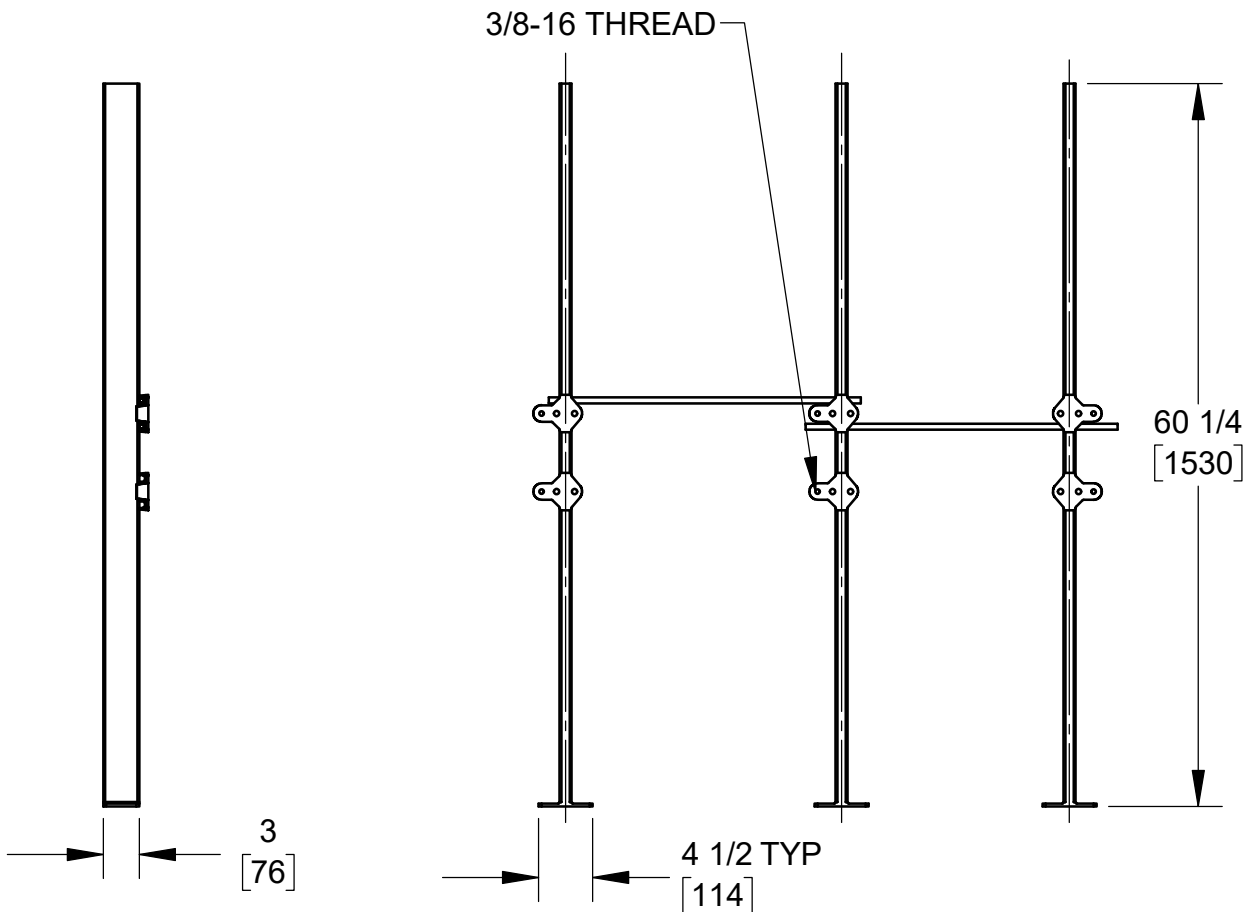
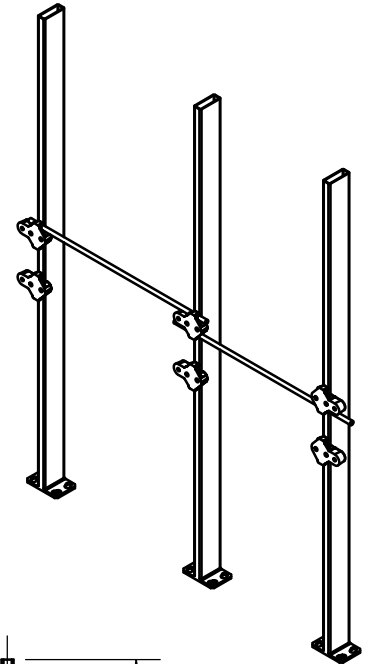
JOSAM 17560 SERIES FLOOR-MOUNTED, SINGLE LAVATORY CARRIER WITH STRUCTURAL UPRIGHTS AND WELDED FEET. DESIGNED SPECIFICALLY FOR HAWS 1119.

LAVATORY CARRIER
FLOOR-MOUNT CONCEALED ARM

SERIES **17560-WCBL-M1436**

NOTE:

- 1. NOT ALL HARDWARE SHOWN
- 2. JOSAM RECOMMENDS THAT ALL FEET BE SECURED TO FLOOR WITH 1/2" BOLTS AND ANCHORS BY OTHERS



WARNING: Cancer and Reproductive Harm - www.P65Warnings.ca.gov

DATE OF LAST CHANGE: 03/03/25 JTJ

DIMENSIONS ARE SUBJECT TO MANUFACTURERS TOLERANCES AND CHANGE WITHOUT NOTICE. WE CAN ASSUME NO RESPONSIBILITY FOR USE OF SUPERSEDED OR VOID DATA.

JOSAM
MICHIGAN CITY, INDIANA

NOTES