

SPECIFICATION:

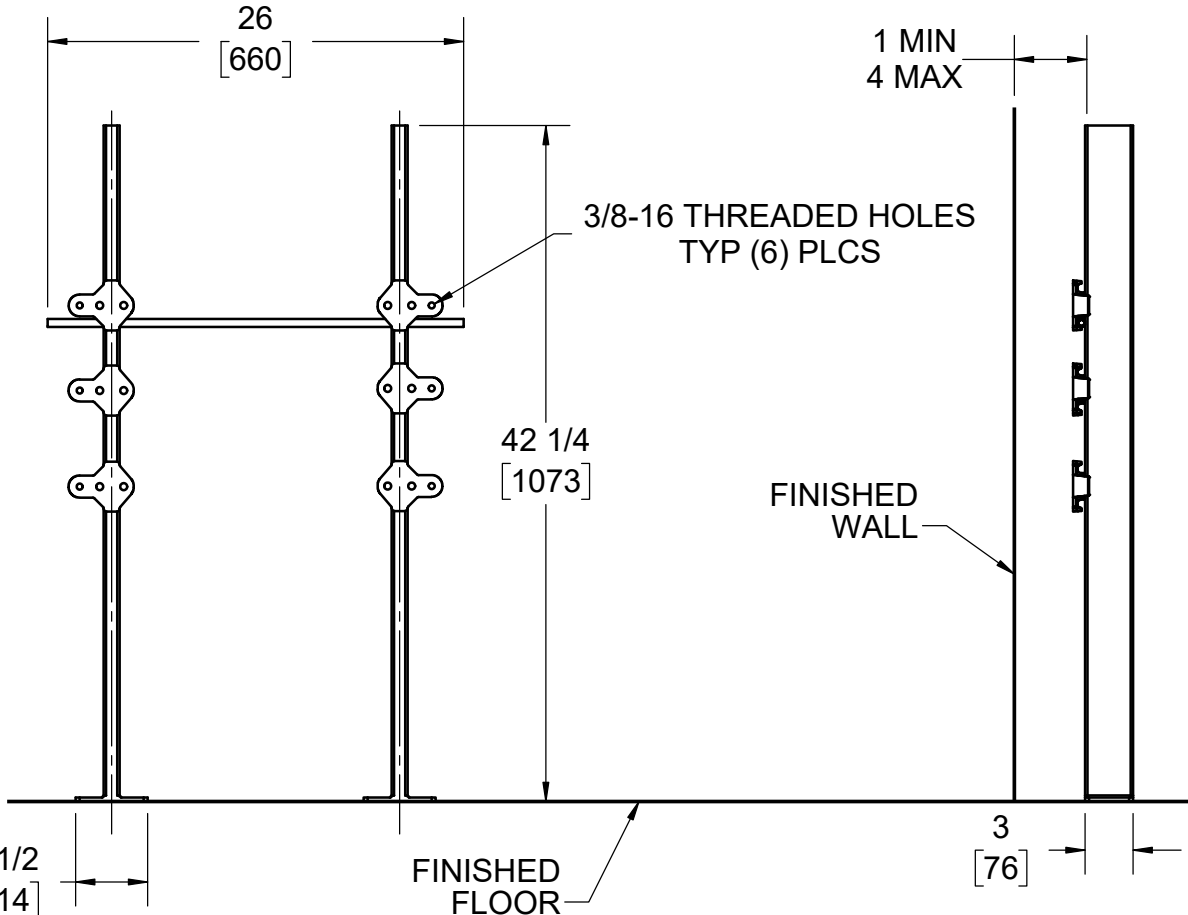
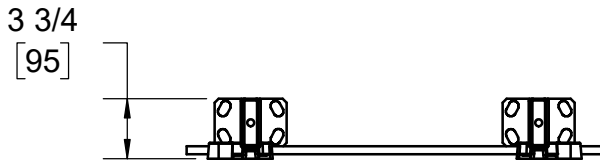
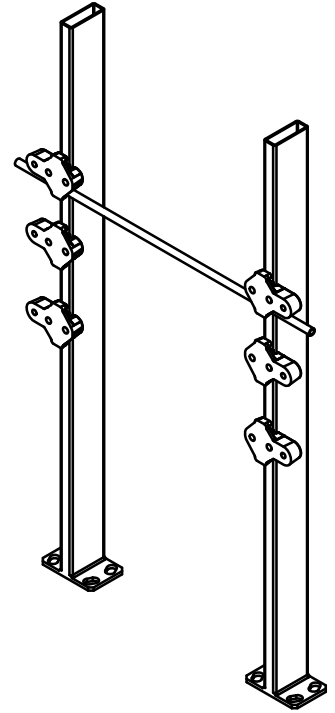
JOSAM 17720-M1763 SERIES FLOOR MOUNTED SINGLE HEAVY DUTY CARRIER WITH ADJUSTABLE SUPPORTING AND BEARING RODS AND STRUCTURAL UPRIGHTS WITH WELDED FEET.

**FIXTURE CARRIER
SPECIAL**

SERIES **17720-M1763**

NOTES

1. DESIGNED TO SUPPORT MURDOCK -MP2-W32 MOUNTING PLATE AND WHITEHALL DIGNITY WHD-BSN.
2. RECOMMEND FEET BE SECURED TO FLOOR WITH 1/2" BOLTS & ANCHORS BY OTHERS.



WARNING: Cancer and Reproductive Harm - www.P65Warnings.ca.gov

DATE OF LAST CHANGE: 12/17/24 JTJ

DIMENSIONS ARE SUBJECT TO MANUFACTURERS TOLERANCES AND CHANGE WITHOUT NOTICE. WE CAN ASSUME NO RESPONSIBILITY FOR USE OF SUPERSEDED OR VOID DATA.

JOSAM
MICHIGAN CITY, INDIANA

NOTES