

**SPECIFICATION:**

JOSAM 200-SSS-E STAINLESS STEEL SLOTTED GRATE DESIGNED TO FIT PRO-PLUS 200 SERIES CHANNEL AND FOR LOCKING BAR OR BOLT DOWN SECUREMENT. MEETS ADA SLOT WIDTH REQUIREMENTS.

**TRENCH DRAIN GRATE**

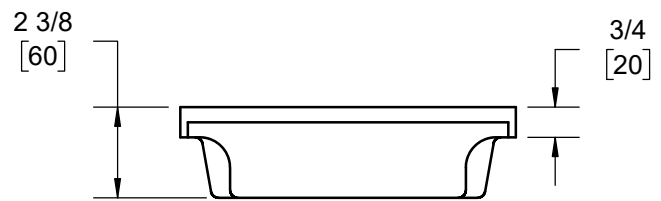
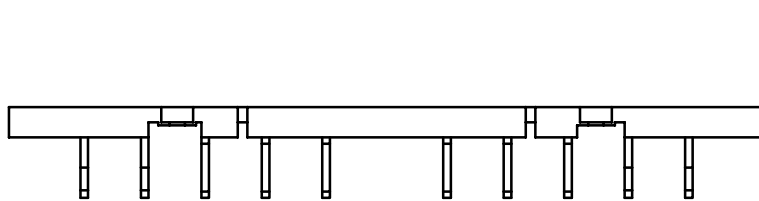
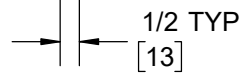
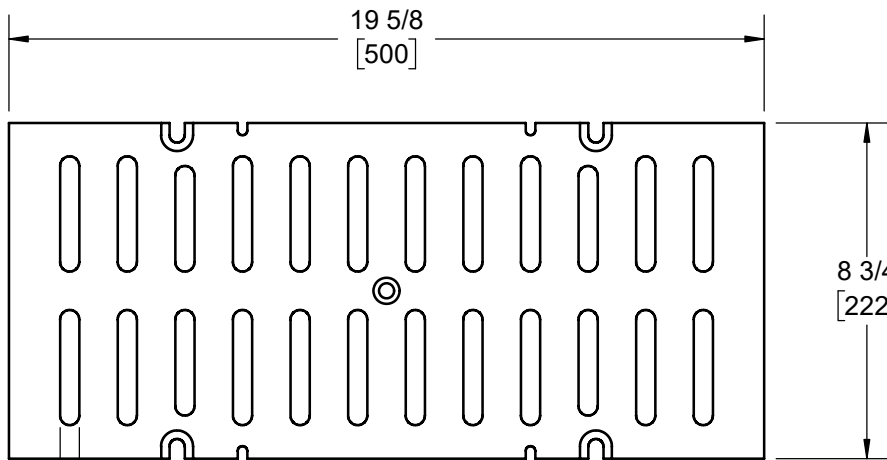
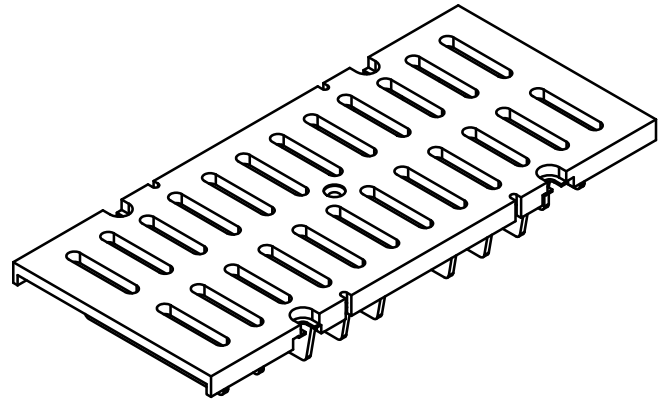
**PRO-PLUS 200**

SERIES **200-SSS-E**

LOAD RATINGS EN/DIN: E H20: Y

SLOT WIDTH: 1/2" (MEETS ADA)

FREE AREA: 34 SQ. IN.



WARNING: Cancer and Reproductive Harm - www.P65Warnings.ca.gov

DATE OF LAST CHANGE: 5/23/2023 JTJ

DIMENSIONS ARE SUBJECT TO MANUFACTURERS TOLERANCES AND CHANGE WITHOUT NOTICE. WE CAN ASSUME NO RESPONSIBILITY FOR USE OF SUPERSEDED OR VOID DATA.



MICHIGAN CITY, INDIANA

NOTES