

SPECIFICATION:

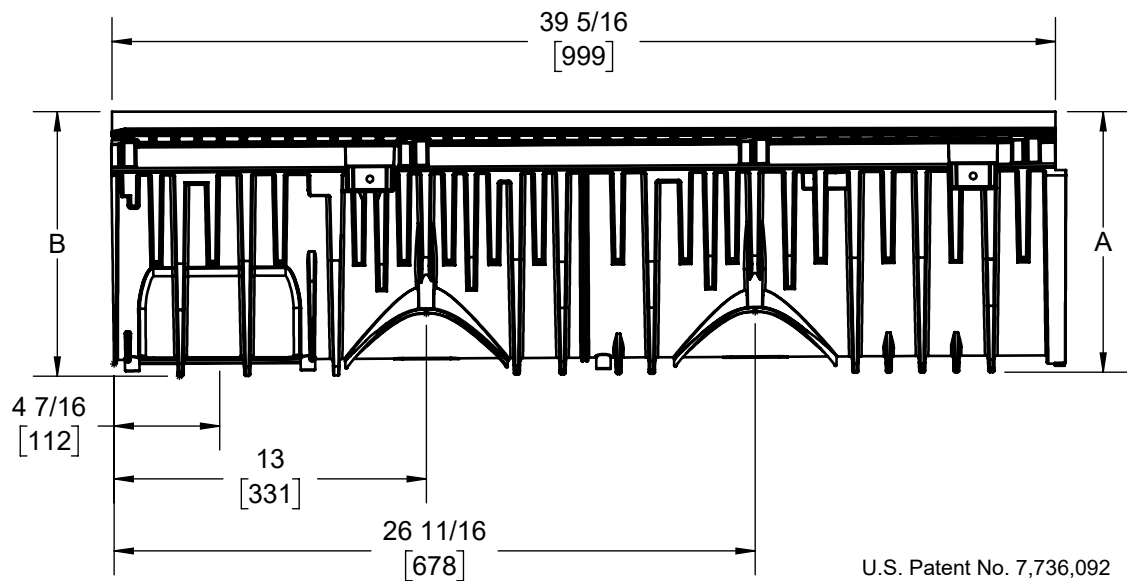
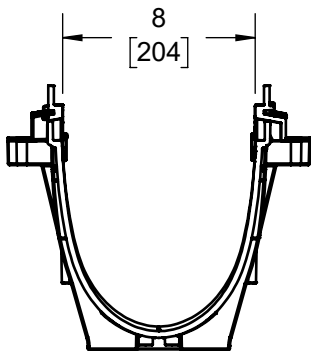
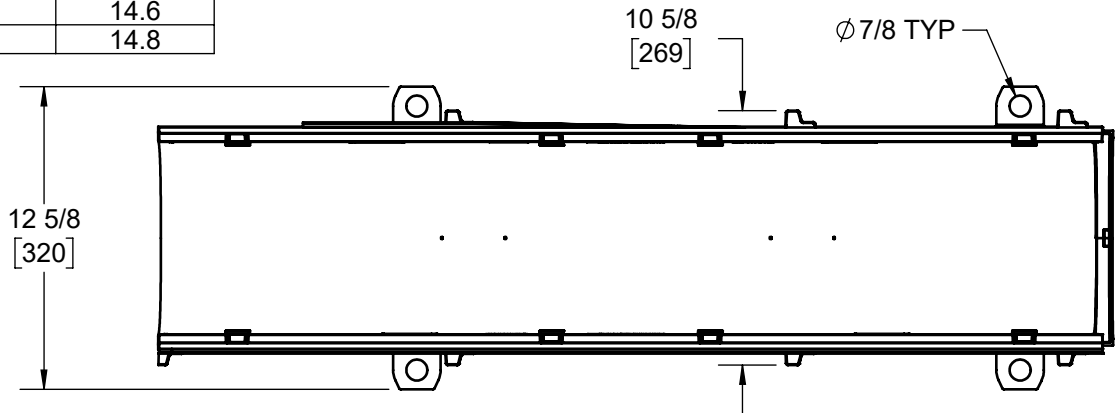
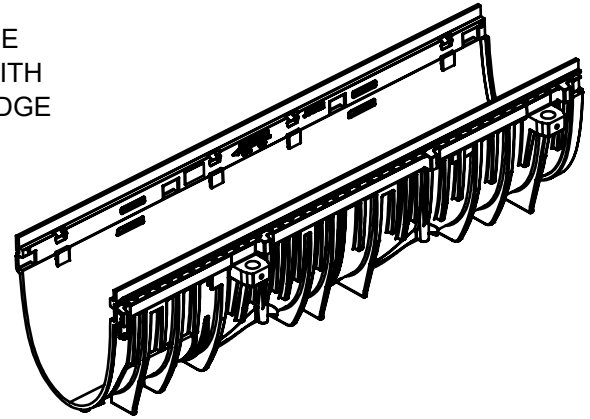
JOSAM 200C-SSE SERIES CHANNELS SHALL BE 39.4" (1000) LONG WITH 8" (203) INTERNAL WIDTH WITH RADIUSED BOTTOM. INTERCONNECTING CHANNEL SECTIONS SHALL BE MADE OF SMC/GRP (SHEET MOLDING COMPOUND/GLASS REINFORCED POLYESTER) MATERIAL AND AVAILABLE WITH AND WITHOUT SLOPE. CHANNEL SUPPORT BRACKETS CAPABLE OF ACCEPTING RE-BAR, END OUTLETS, BOTTOM OUTLETS, ENDCAPS, AND CORNER/T CONNECTORS SHALL BE AVAILABLE. GRATE OPTIONS FOR LOADING CLASSES A-E WITH PRESSURE OR LOCKING BOLT SECURING DEVICES AND STAINLESS STEEL EDGES TO PROTECT CHANNEL EDGES.

PRO-PLUS
8" INTERNAL WIDTH
WITH STAINLESS STEEL EDGE

SERIES 200C-SSE

PART NUMBER	DIM. "A"	DIM. "B"
200C	9.5	9.5
200C-01	10.8	11.0
200C-02	11.0	11.2
200C-03	11.2	11.4
200C-04	11.4	11.6
200C-05	11.6	11.8
200C-05N	11.8	11.8
200C-06	11.8	12.0
200C-07	12.0	12.2
200C-08	12.2	12.4
200C-09	12.4	12.6
200C-10	12.6	12.8
200C-11	12.8	13.0
200C-12	13.0	13.2
200C-13	13.2	13.4
200C-14	13.4	13.6
200C-15	13.6	13.8
200C-15N	13.8	13.8
200C-16	13.8	14.0
200C-17	14.0	14.2
200C-18	14.2	14.4
200C-19	14.4	14.6
200C-20	14.6	14.8

NOTE:
 DUCTILE IRON FRAME
 CANNOT BE USED WITH
 STAINLESS STEEL EDGE



U.S. Patent No. 7,736,092

WARNING: Cancer and Reproductive Harm - www.P65Warnings.ca.gov

DATE OF LAST CHANGE: 11/21/22 BDT

DIMENSIONS ARE SUBJECT TO MANUFACTURERS TOLERANCES AND CHANGE WITHOUT NOTICE. WE CAN ASSUME NO RESPONSIBILITY FOR USE OF SUPERSEDED OR VOID DATA.

JOSAM
 MICHIGAN CITY, INDIANA

NOTES