

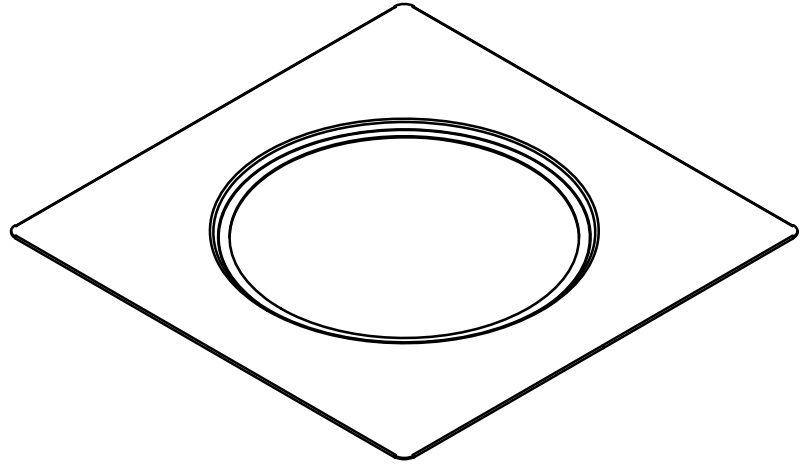
SPECIFICATION:

JOSAM 21500 SERIES GALVANIZED STEEL DRAIN RECEIVER.

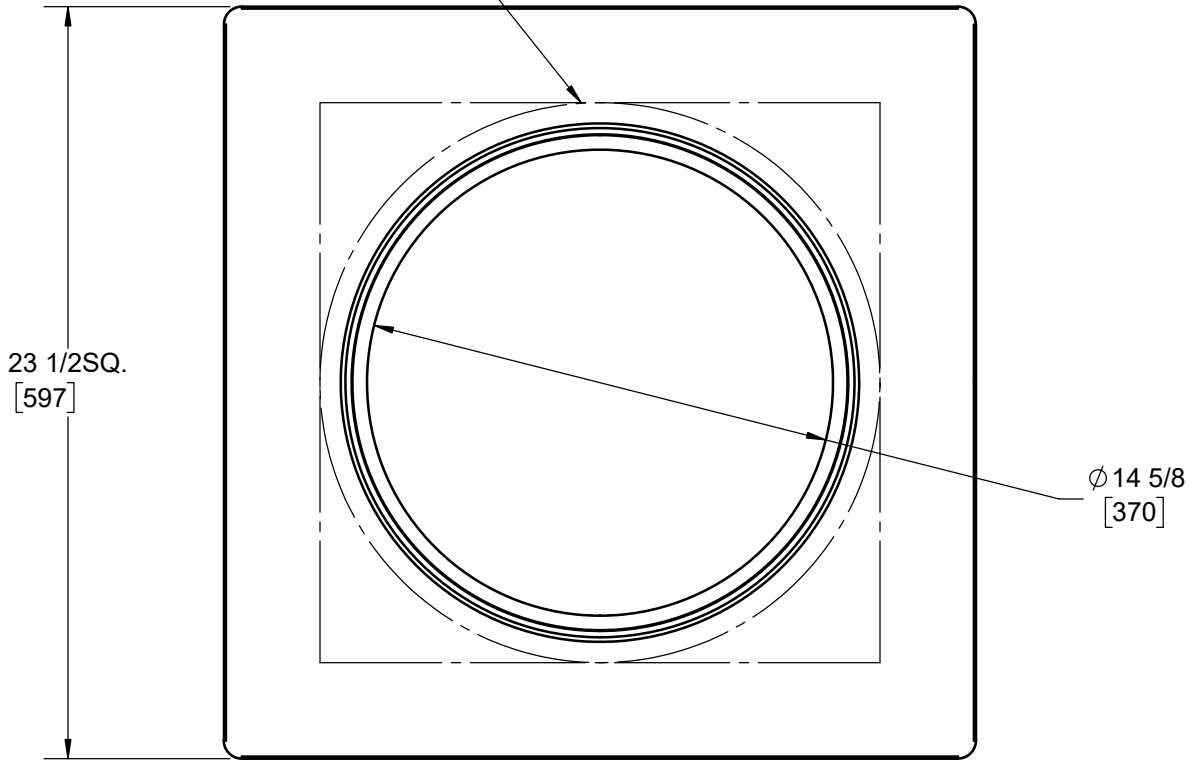
**ROOF DRAIN
RECEIVER PAN**

SERIES **21500-2**

PN: 029272



17-1/2"
RECOMMENDED
ROOF OPENING



3/8
[10]

1/16
[1]

WARNING: Cancer and Reproductive Harm - www.P65Warnings.ca.gov

DATE OF LAST CHANGE: 09/08/22 BDT

DIMENSIONS ARE SUBJECT TO MANUFACTURERS
TOLERANCES AND CHANGE WITHOUT NOTICE.
WE CAN ASSUME NO RESPONSIBILITY FOR
USE OF SUPERSEDED OR VOID DATA.

JOSAM
MICHIGAN CITY, INDIANA

NOTES