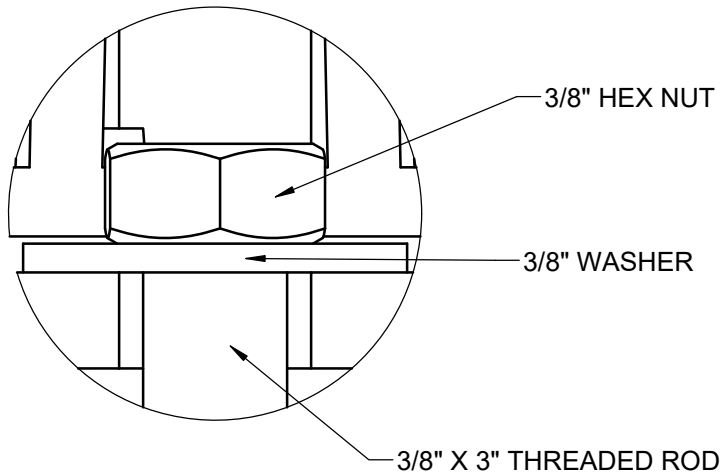


SPECIFICATION:

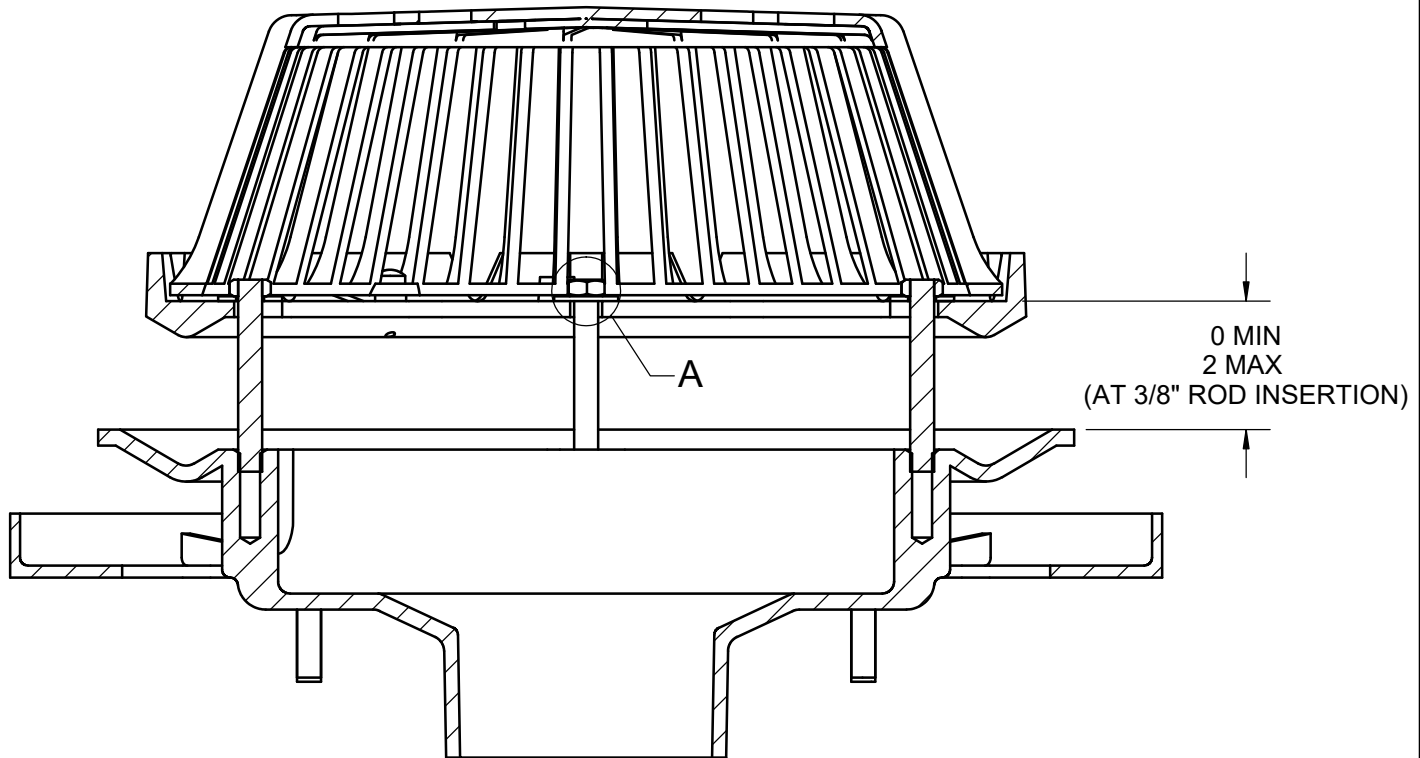
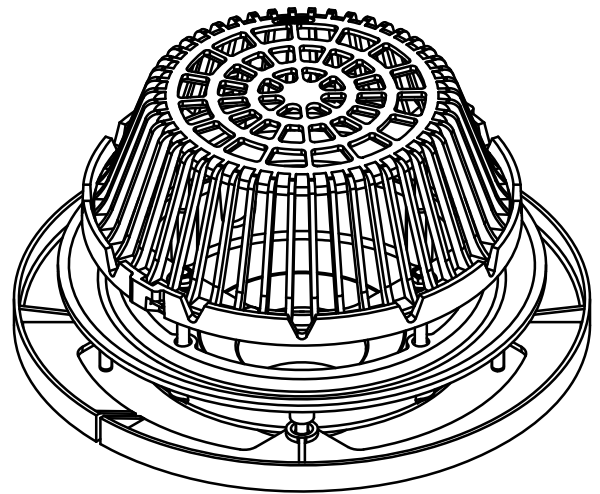
JOSAM 21500-LCH SERIES COATED CAST IRON ROOF DRAIN, LARGE POLYPROPYLENE LOCKING DOME, WEJLOC® NON-PUNCTURING CLAMP RING WITH INTEGRAL GRAVEL STOP, LARGE SUMP WITH WIDE ROOF FLANGE, BOTTOM OUTLET AND LONG CLAMP HARDWARE KIT 030040.

**ROOF DRAIN
LARGE SUMP**

SERIES **21500-LCH**



**DETAIL A
SCALE 2 : 1**



DATE OF LAST CHANGE: 05/18/21

DIMENSIONS ARE SUBJECT TO MANUFACTURERS TOLERANCES AND CHANGE WITHOUT NOTICE. WE CAN ASSUME NO RESPONSIBILITY FOR USE OF SUPERSEDED OR VOID DATA.

JOSAM
MICHIGAN CITY, INDIANA

NOTES