

**SPECIFICATION:**

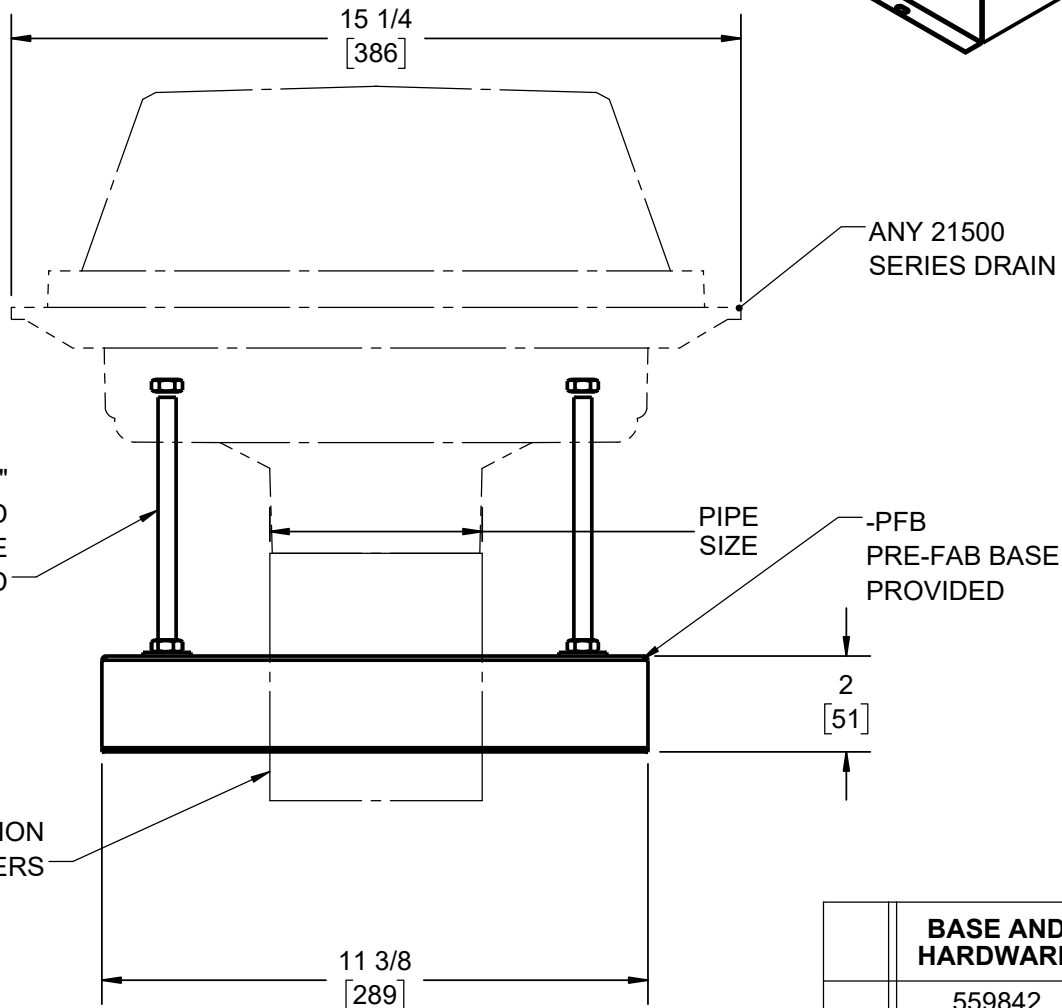
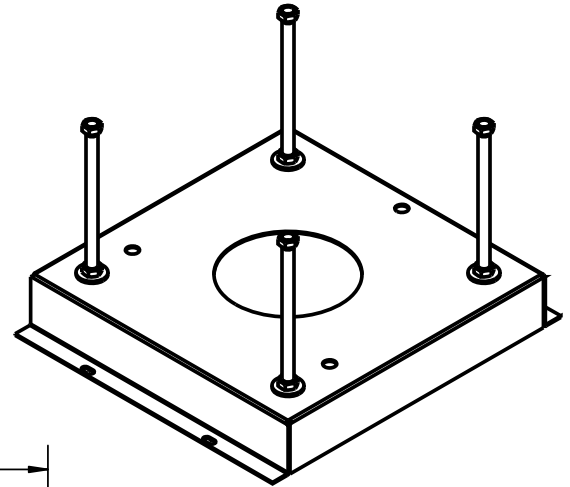
JOSAM PRE-FAB BASE WITH HARDWARE FOR SERIES 21500 DRAINS

-PFB OPTION MUST BE ORDERED AT TIME OF DRAIN FOR PROPER MAODIFICATION OF DRAIN BODY

**ROOF DRAIN**

PRE-FAB BASE

SERIES **21500-PFB**



|  | BASE AND HARDWARE | PIPE SIZE |
|--|-------------------|-----------|
|  | 559842            | 2"        |
|  | 559843            | 3"        |
|  | 559844            | 4"        |
|  | 559845            | 5"        |
|  | 559846            | 6"        |
|  | 559848            | 8"        |

DATE OF LAST CHANGE: 02/05/25 | BLK

DIMENSIONS ARE SUBJECT TO MANUFACTURERS TOLERANCES AND CHANGE WITHOUT NOTICE. WE CAN ASSUME NO RESPONSIBILITY FOR USE OF SUPERSEDED OR VOID DATA.



NOTES