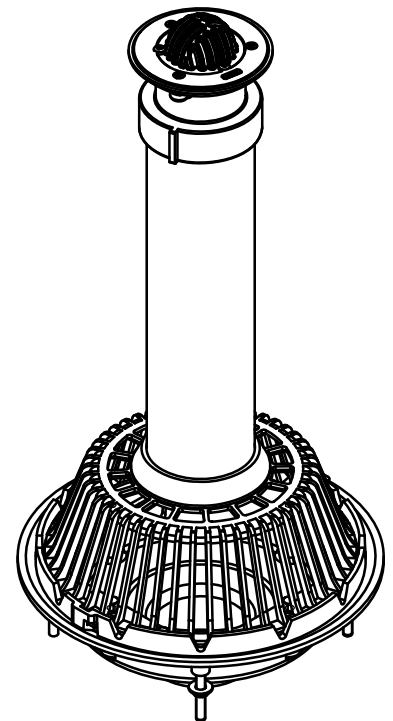
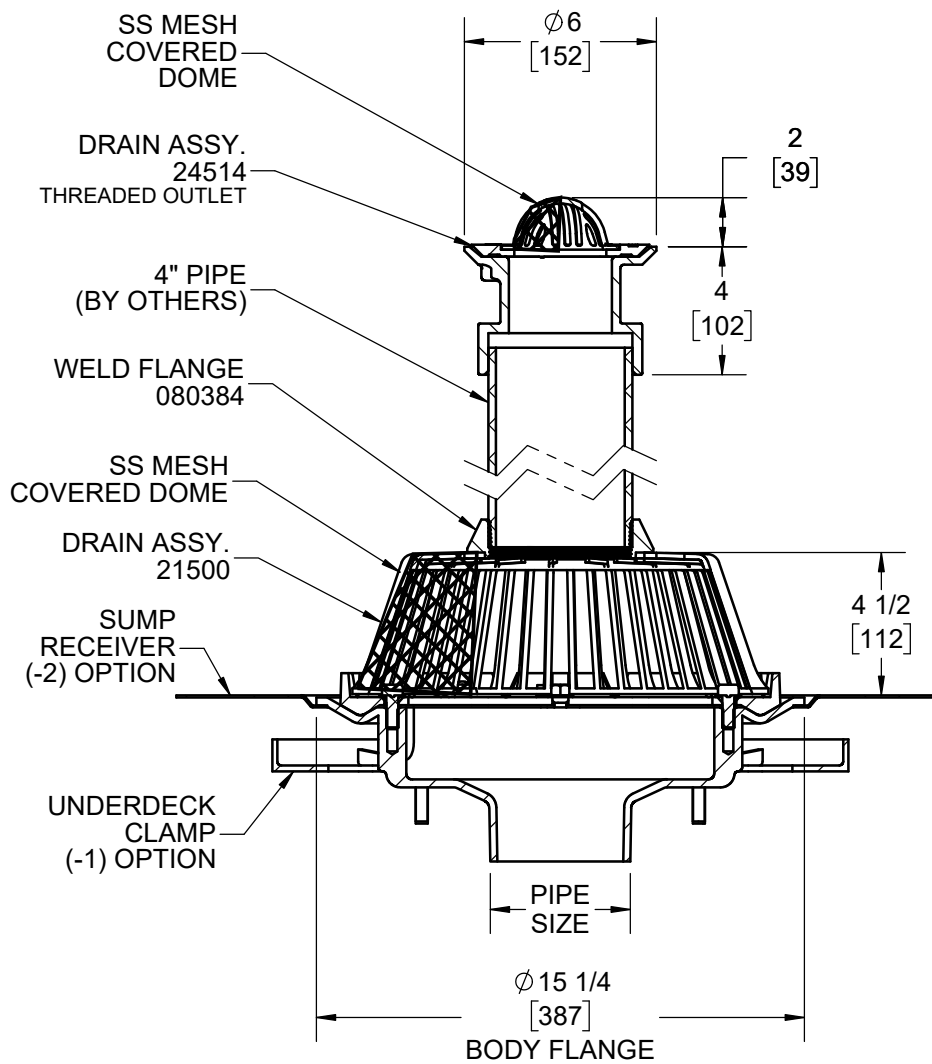


SPECIFICATION:

JOSAM SERIES 21500-Q600 COATED CAST IRON LOWER DRAIN AND WEJLOC CLAMP RING WITH SS MESH COVERED CAST IRON DOME MODIFIED FOR THREADED STANDPIPE. COATED CAST IRON THREADED OUTLET UPPER BODY WITH BRONZE CLAMP RING AND SS MESH COVERED SECURED BRONZE DOME.

**ROOF DRAIN
PLANTING AREA**

SERIES **21500-Q600**



-1	UNDERDECK CLAMP
-2	DRAIN RECEIVER (24" SQ.)
-VP	VANDALPROOF DOME
-X	CAULK OUTLET
-Y	PUSH-ON OUTLET (2", 3", 4" ONLY)
-T	THREADED OUTLET
-Z	NO-HUB OUTLET
24500 OPTIONS	
-27	TALL DOME
-35	FLAT GRATE

PIPE SIZE
2"
3"
4"
5"
6"
8"

WARNING: Cancer and Reproductive Harm - www.P65Warnings.ca.gov

DATE OF LAST CHANGE: 02/25/22

DIMENSIONS ARE SUBJECT TO MANUFACTURERS TOLERANCES AND CHANGE WITHOUT NOTICE. WE CAN ASSUME NO RESPONSIBILITY FOR USE OF SUPERSEDED OR VOID DATA.

JOSAM
MICHIGAN CITY, INDIANA

NOTES