

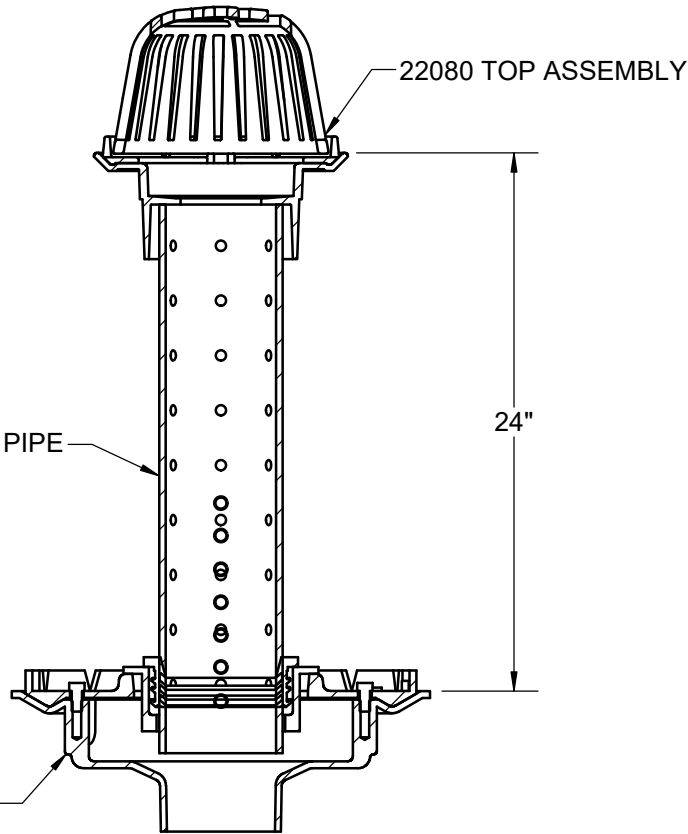
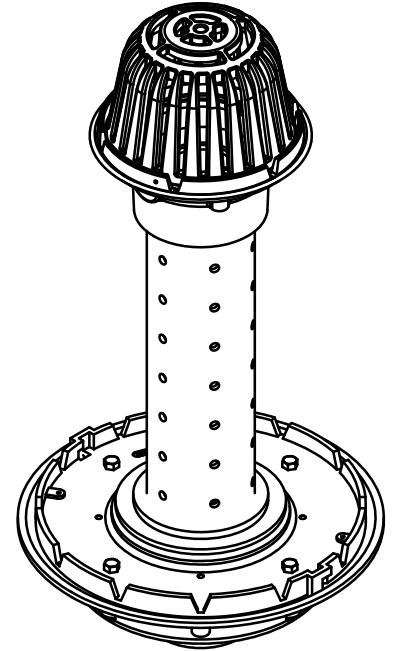
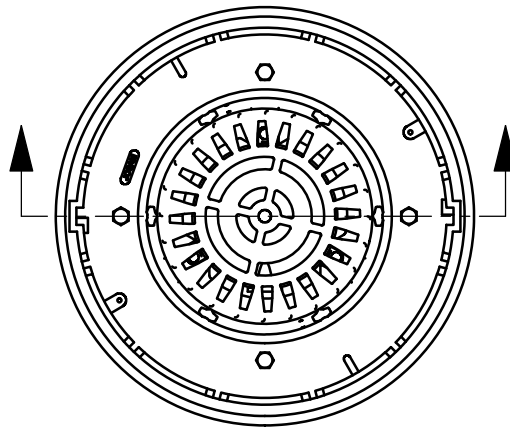
SPECIFICATION:

JOSAM SERIES 21500-Q700 COATED CAST IRON ROOF DRAIN, NON-PUNCTURING CLAMP RING WITH INTEGRAL GRAVEL STOP, 4" PVC PERFORATED STANDPIPE, AND 22080 TOP ASSEMBLY.

SEE 29000 AND 22080 SUBMITTALS FOR MORE DETAIL.

DRAIN
SUBSURFACE WITH
STANDPIPE/DOME

SERIES **21500-Q700**



4" PERFORATED PVC PIPE

24"

29000 BOTTOM ASSEMBLY

-X	CAULK OUTLET
-Y	PUSH-ON OUTLET
-T	THREADED OUTLET
-Z	NO-HUB OUTLET
-AE	ADJUSTABLE EXTENSION

PIPE SIZE
2"
3"
4"
5"
6"
8"

WARNING: Cancer and Reproductive Harm - www.P65Warnings.ca.gov

DATE OF LAST CHANGE: 4/02/24 JTJ

DIMENSIONS ARE SUBJECT TO MANUFACTURERS TOLERANCES AND CHANGE WITHOUT NOTICE. WE CAN ASSUME NO RESPONSIBILITY FOR USE OF SUPERSEDED OR VOID DATA.

JOSAM
MICHIGAN CITY, INDIANA

NOTES