

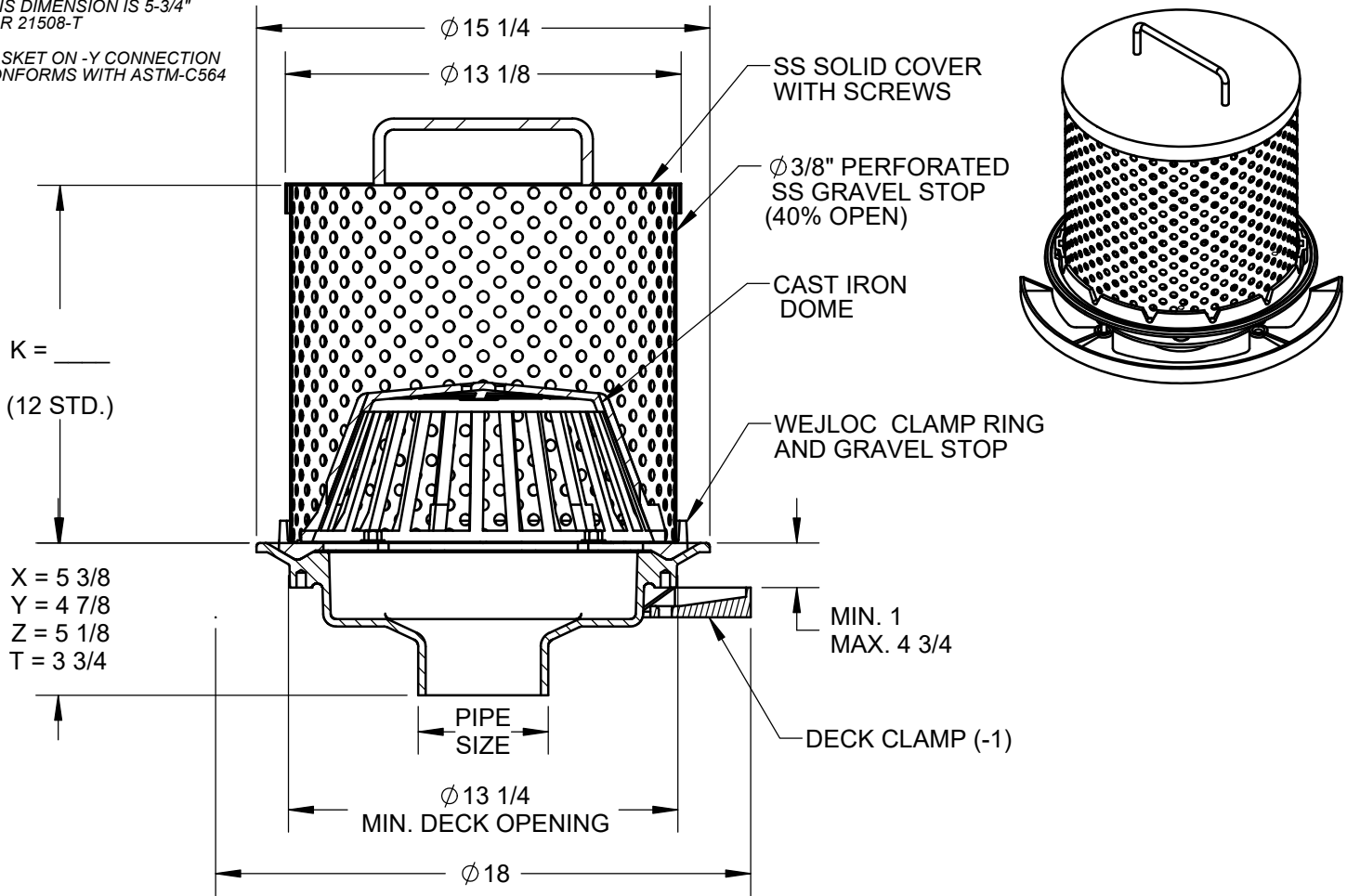
SPECIFICATION:

JOSAM SERIES 21500-RDG3 COATED CAST IRON DRAIN BODY AND WEJLOC® CLAMP RING WITH STAINLESS STEEL GRAVEL STOP, SECURED COVER AND CAST IRON DOME.

**ROOF DRAIN
GREEN ROOF**

SERIES **21500-RDG3**

- THIS DIMENSION IS 5-3/4" FOR 21508-T
- GASKET ON -Y CONNECTION CONFORMS WITH ASTM-C564



WARNING: Cancer and Reproductive Harm - www.P65Warnings.ca.gov

2"	PIPE SIZE			-AE	THREADED LEVELZE ADJ. EXT.
3"	PIPE SIZE			-AER	ADJ. EXT. USING THREADED RODS
4"	PIPE SIZE			-PC	PERFORATED COVER
5"	PIPE SIZE			-1	DECK CLAMP ASY.
6"	PIPE SIZE			-2	DRAIN RECEIVER
8"	PIPE SIZE			-3	DECK CLAMP ASY. AND DRAIN RECEIVER
10"	PIPE SIZE (NO-HUB ONLY)			-3C	DRAIN RECEIVER AND DRAIN RECEIVER CLIPS
-T	THREADED OUTLET			-4	SECONDARY FLASHING CLAMP (-AE ONLY)
-X	INSIDE CAULK OUTLET			-6	EXTRA WIDE FLANGE DRAIN BODY (-X OUTLET ONLY)
-Y	HUB OUTLET W/GASKET (2", 3" & 4" SIZES ONLY)			-10	FIXED EXT. COLLAR, CAST IRON (SPECIFY HT. 4" STD.)
-Z	NO-HUB SPIGOT OUTLET			-10-20	FIXED EXT. COLLAR, GALV. (SPECIFY HT. 4" STD.)
-22	CAST IRON DOME				
-22-21	GALV. CAST IRON DOME ONLY			-16	INTERNAL WATERGUARD (2" THRU 6" OUTLETS ONLY)
-23	ROUGH BRONZE DOME			-20	GALV. CAST IRON PARTS
-26	ALUMINUM DOME			-66	NO-HUB SIDE OUTLET (2" THRU 6" OUTLETS ONLY)
-33	STAINLESS MECH SCREEN-COVERED DOME				
-VP	VANDAL-PROOF DOME				

DATE OF LAST CHANGE: 09/14/23 BLK
 DIMENSIONS ARE SUBJECT TO MANUFACTURERS TOLERANCES AND CHANGE WITHOUT NOTICE. WE CAN ASSUME NO RESPONSIBILITY FOR USE OF SUPERSEDED OR VOID DATA.



NOTES