

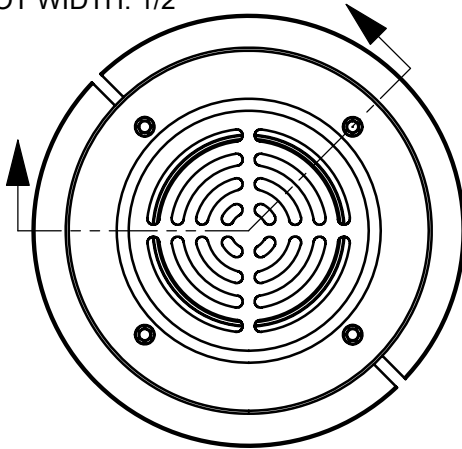
SPECIFICATION:

JOSAM SERIES 21500-SS STAINLESS STEEL (TYPE 304) ROOF DRAIN WITH NO-HUB BOTTOM OUTLET.

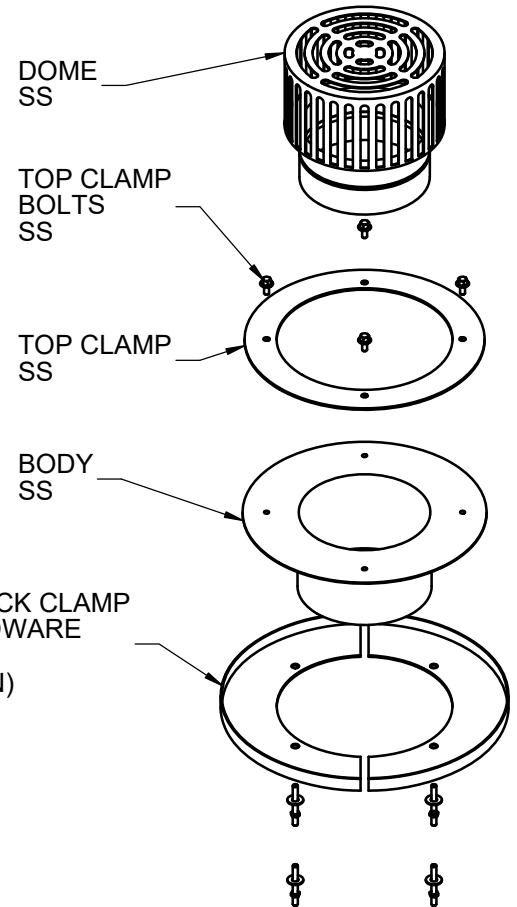
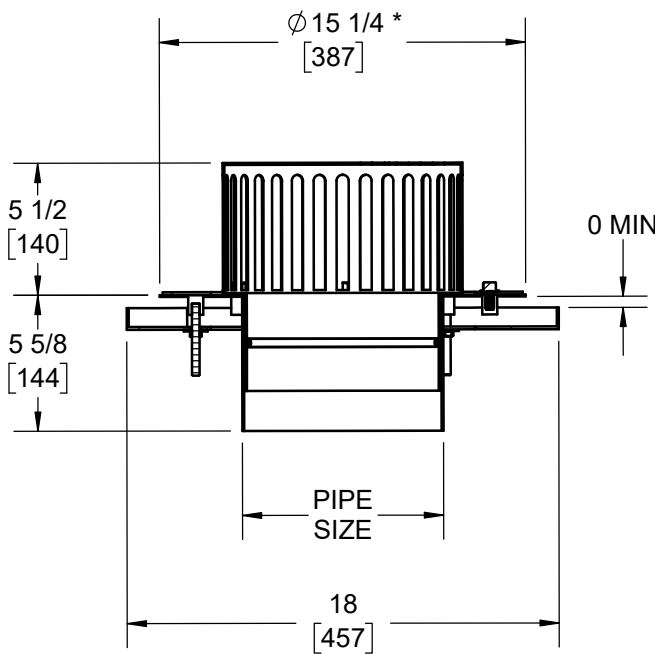
**ROOF DRAIN
STAINLESS STEEL**

SERIES **21500-SS**

DOME FREE AREA: 103 SQ. IN.
DOME SLOT WIDTH: 1/2"



* ϕ 19 1/4" FOR -6 OPTION



PIPE SIZE	FREE AREA (IN. ²)
4"	6
6"	14
8"	25

-35 FLAT GRATE OPTION

OPTIONS:

-1	UNDERDECK CLAMP
-2	DRAIN RECEIVER
-6	WIDE FLANGE (ϕ 19-1/4")
-16	INTERNAL WATERGUARD
-35	FLAT GRATE (N/A ON 2" AND 3" SIZES)
-VP	SECURED DOME OR GRATE
-BW	BUTT-WELD OUTLET (SPEC. 5S, 10S, 40S)
-PF	OUTLET FOR JOSAM PUSH-FIT SYSTEM
-316	TYPE 316L MATERIAL

PIPE SIZE
2"
3"
4"
6"
8"

PRODUCT IS NON-CANCELABLE AND NON-RETURNABLE

NAME: _____

SIGNATURE: _____

DATE: _____

WARNING: Cancer and Reproductive Harm - www.P65Warnings.ca.gov

DATE OF LAST CHANGE: 07/18/23

DIMENSIONS ARE SUBJECT TO MANUFACTURERS TOLERANCES AND CHANGE WITHOUT NOTICE. WE CAN ASSUME NO RESPONSIBILITY FOR USE OF SUPERSEDED OR VOID DATA.



NOTES