

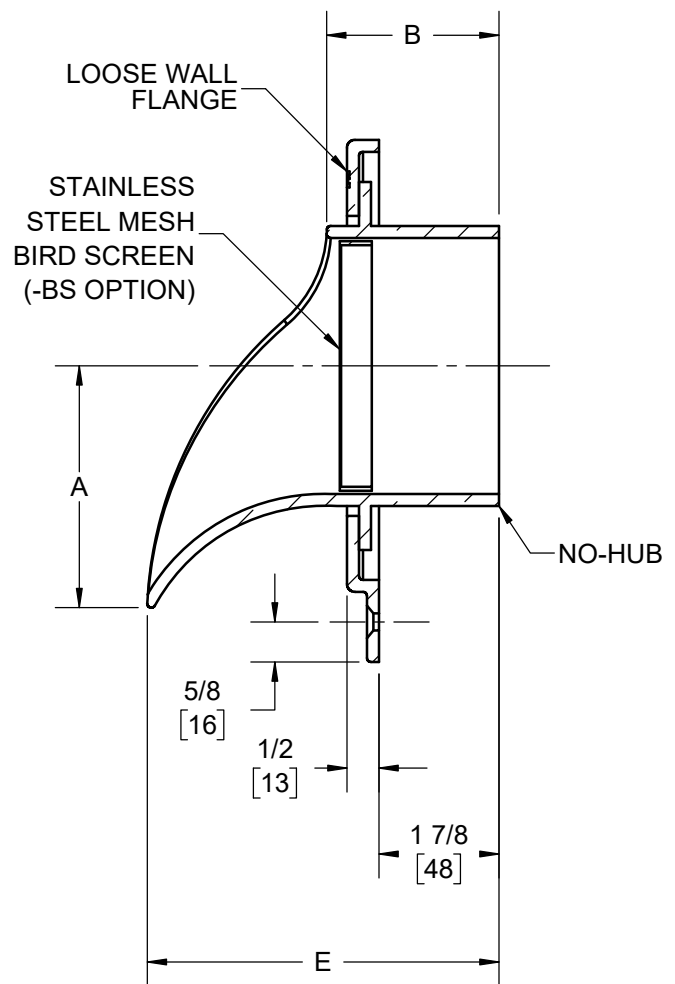
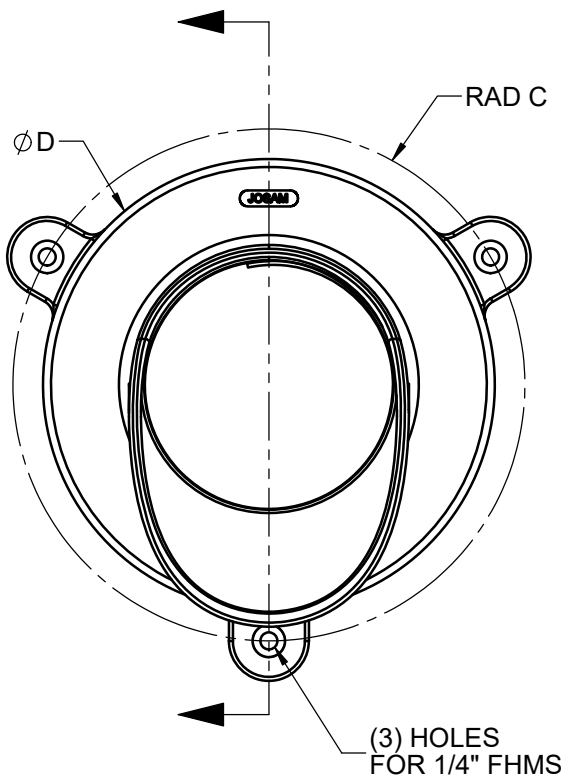
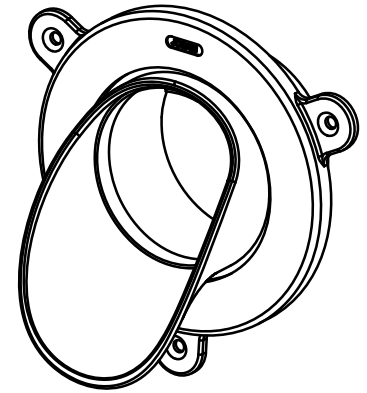
**SPECIFICATION:**

JOSAM 25010-Z SERIES CAST BRONZE DOWNSPOUT NOZZLE, LOOSE WALL FLANGE AND NO-HUB INLET CONNECTION.

**ROOF DRAIN  
DOWNSPOUT NOZZLE**

SERIES **25010-Z**

	TYPE	PIPE SIZE	A	B	C	D	E
	25012-Z	2"	2 3/8	2 5/8	3	5 7/16	5 3/8
	25013-Z	3"	3 3/8	2 5/8	3 1/2	6 7/16	5 3/8
	25014-Z	4"	3 3/4	2 5/8	4	7 7/16	5 1/2
	25015-Z	5"	4 1/4	2 5/8	4 1/2	8 7/16	5 3/4
	25016-Z	6"	4 3/4	2 5/8	5 1/2	9 7/16	5 3/4
	25018-Z	8"	5 7/8	2 5/8	6	11 7/16	6 1/2
	25019-Z	10"	6 7/8	3	6 7/8	13	6 1/2
	25010-12-Z	12"	7 7/8	3	7 7/8	15	6 1/2



● SEPARATE SUBMITTALS FOR THIS OPTION AVAILABLE

●	-51	SATIN FINISH BRONZE
●	-BS	BIRD SCREEN
●	-PVC	CONNECTS TO PVC PIPE
●	-T	THREADED OUTLET

FOR ADA COMPLIANCE, PLAN CONNECTION TO PIPE SO NOZZLE PROTRUDES A MAXIMUM 4" FROM WALL.

WARNING: Cancer and Reproductive Harm - www.P65Warnings.ca.gov

DATE OF LAST CHANGE: 01/19/23 BDT

DIMENSIONS ARE SUBJECT TO MANUFACTURERS TOLERANCES AND CHANGE WITHOUT NOTICE. WE CAN ASSUME NO RESPONSIBILITY FOR USE OF SUPERSEDED OR VOID DATA.

**JOSAM**

MICHIGAN CITY, INDIANA

NOTES