

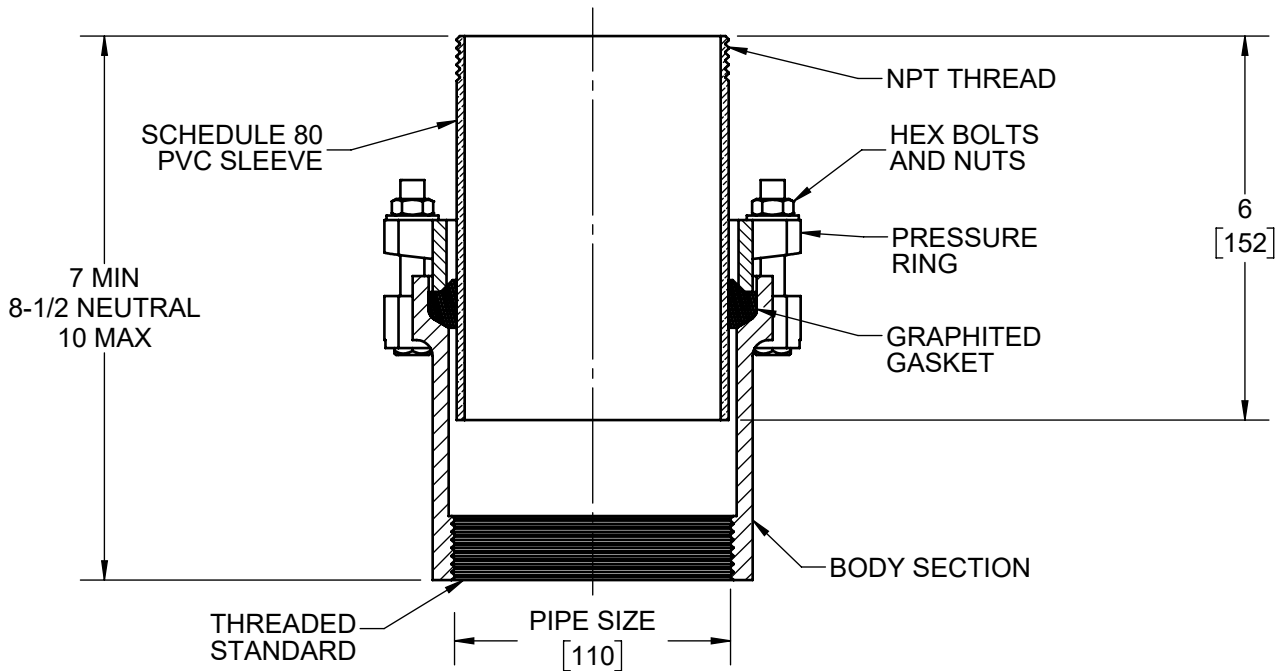
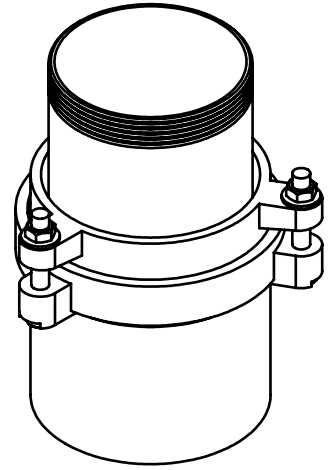
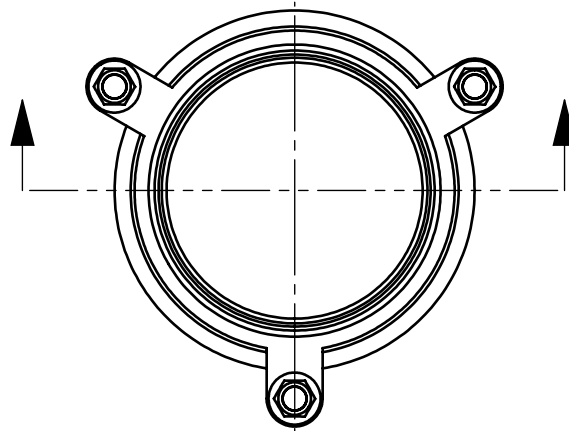
**SPECIFICATION:**

JOSAM SERIES 26200 COATED CAST IRON EXPANSION JOINT, SCHEDULE 80 PVC SLEEVE, PACKING GLAND WITH BOLTED PRESSURE RING, MALE INLET AND FEMALE THREADED OUTLET CONNECTIONS.

**ROOF DRAIN  
EXPANSION JOINT**

SERIES

**26200**



2"	PIPE SIZE	8"	PIPE SIZE
3"	PIPE SIZE	10"	PIPE SIZE
4"	PIPE SIZE		
5"	PIPE SIZE	-BR	BRASS SLEEVE (AVAIL. ON 2" - 8" ONLY)
6"	PIPE SIZE	-20	GALVANIZED CAST IRON PARTS

DATE OF LAST CHANGE: 08/08/22 BT

DIMENSIONS ARE SUBJECT TO MANUFACTURERS TOLERANCES AND CHANGE WITHOUT NOTICE. WE CAN ASSUME NO RESPONSIBILITY FOR USE OF SUPERSEDED OR VOID DATA.



MICHIGAN CITY, INDIANA

NOTES