

**SPECIFICATION:**

JOSAM 30000-A-SS-T SERIES TYPE 316 CAST STAINLESS STEEL FLOOR DRAIN, TWO-PIECE BODY WITH DOUBLE DRAINAGE FLANGE, WEJLOC® INVERTIBLE FLASHING COLLAR, WEEPHOLES, BOTTOM THREADED OUTLET CONNECTION AND ADJUSTABLE ROUND SUPER-FLO® STRAINER. STANDARD STRAINER IS TYPE 304 SS.

**STAINLESS STEEL  
ADJUSTABLE FLOOR DRAIN**

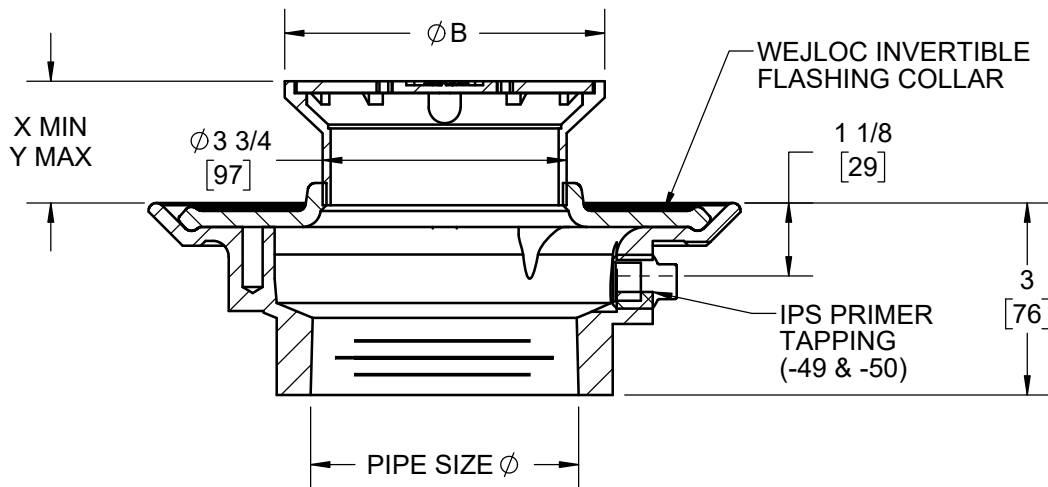
SERIES **30000-A-SS-T**

SLOT WIDTH 1/4"

FORMERLY 54200 SERIES

ADJUSTABLE  
SUPER-FLO  
STRAINER

Ø 9 1/4  
[235]



STAINER	B	X	Y	FREE AREA (SQ. IN.)
-5A-SS	5	3/4"	2-1/8"	7.8
-6A-SS	6	1-1/4"	2-3/8"	11.0
-7A-SS	7	1-1/8"	2-7/8"	13.2
-8A-SS	8	1-5/8"	2-5/8"	16.2

-VP	SECURED GRATE, VANDAL-PROOF SCREWS
-49	3/4" PRIMER TAP
-50	1/2" PRIMER TAP
-80	PERFORATED STAINLESS STEEL BASKET
-316	TYPE 316 SS STRAINER (-6A ONLY)

PIPE SIZE
2"
3"
4"

PRODUCT IS NON-CANCELABLE  
AND NON-RETURNABLE

NAME: \_\_\_\_\_

SIGNATURE: \_\_\_\_\_

DATE: \_\_\_\_\_

WARNING: Cancer and Reproductive Harm - www.P65Warnings.ca.gov

DATE OF LAST CHANGE: 05/06/21

DIMENSIONS ARE SUBJECT TO MANUFACTURERS TOLERANCES AND CHANGE WITHOUT NOTICE. WE CAN ASSUME NO RESPONSIBILITY FOR USE OF SUPERSEDED OR VOID DATA.

**JOSAM**  
MICHIGAN CITY, INDIANA

NOTES