

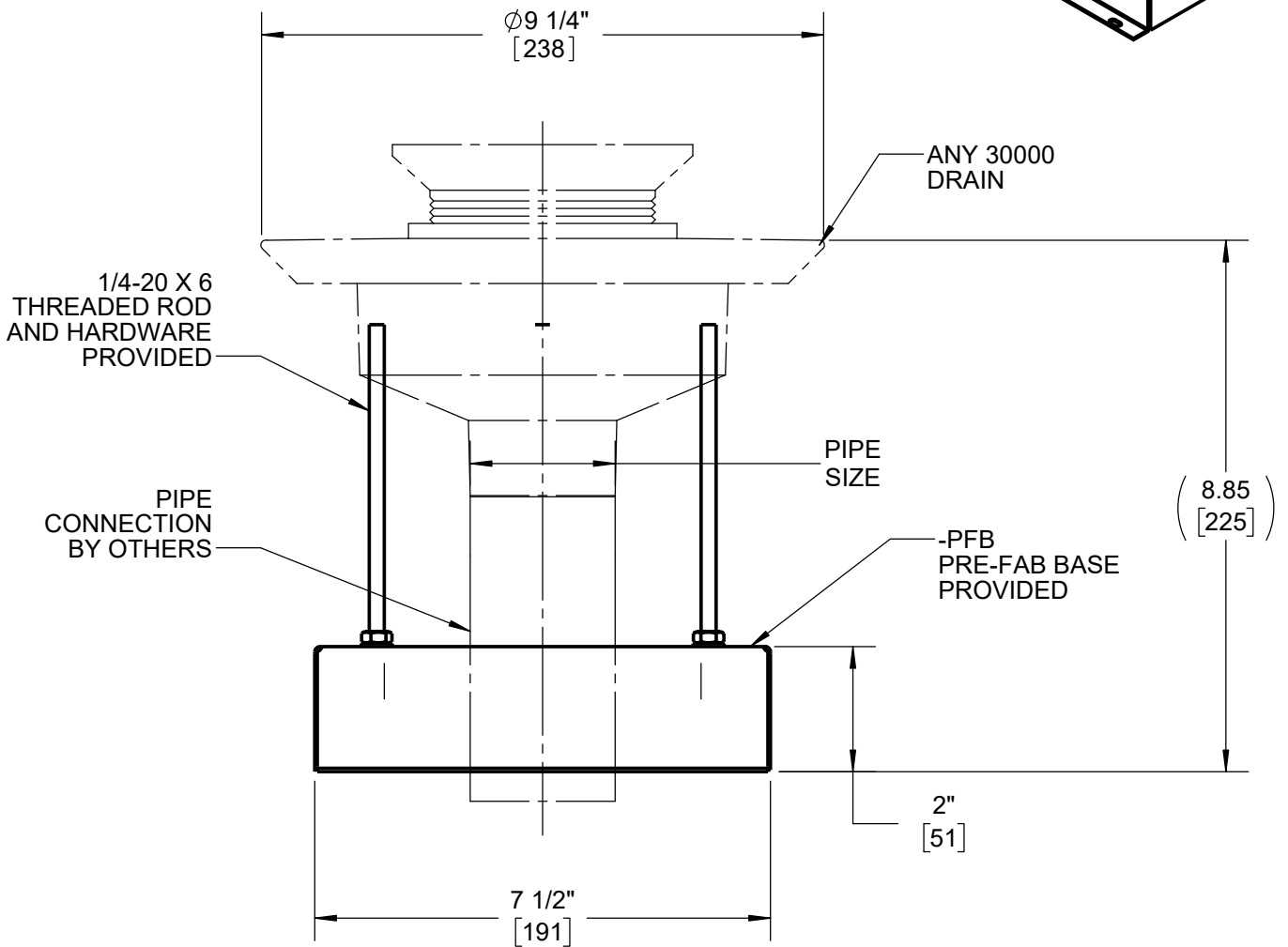
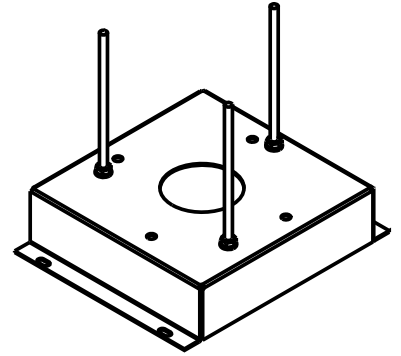
SPECIFICATION:

JOSAM PRE-FAB BASE OPTION FOR 30000 SERIES FLOOR SINKS.

-PFB OPTION MUST BE ORDERED AT TIME OF SINK ORDER FOR PROPER SINK BODY MODIFICATION.

**FLOOR DRAIN
PRE-FAB BASE**

SERIES /
PART NO. **30000-PFB**



	BASE AND HARDWARE	PIPE SIZE
	519802	2"
	519803	3"
	519804	4"

WARNING: Cancer and Reproductive Harm - www.P65Warnings.ca.gov

DATE OF LAST CHANGE: 01/31/25 | BLK

DIMENSIONS ARE SUBJECT TO MANUFACTURERS TOLERANCES AND CHANGE WITHOUT NOTICE. WE CAN ASSUME NO RESPONSIBILITY FOR USE OF SUPERSEDED OR VOID DATA.

JOSAM
MICHIGAN CITY, INDIANA

NOTES