

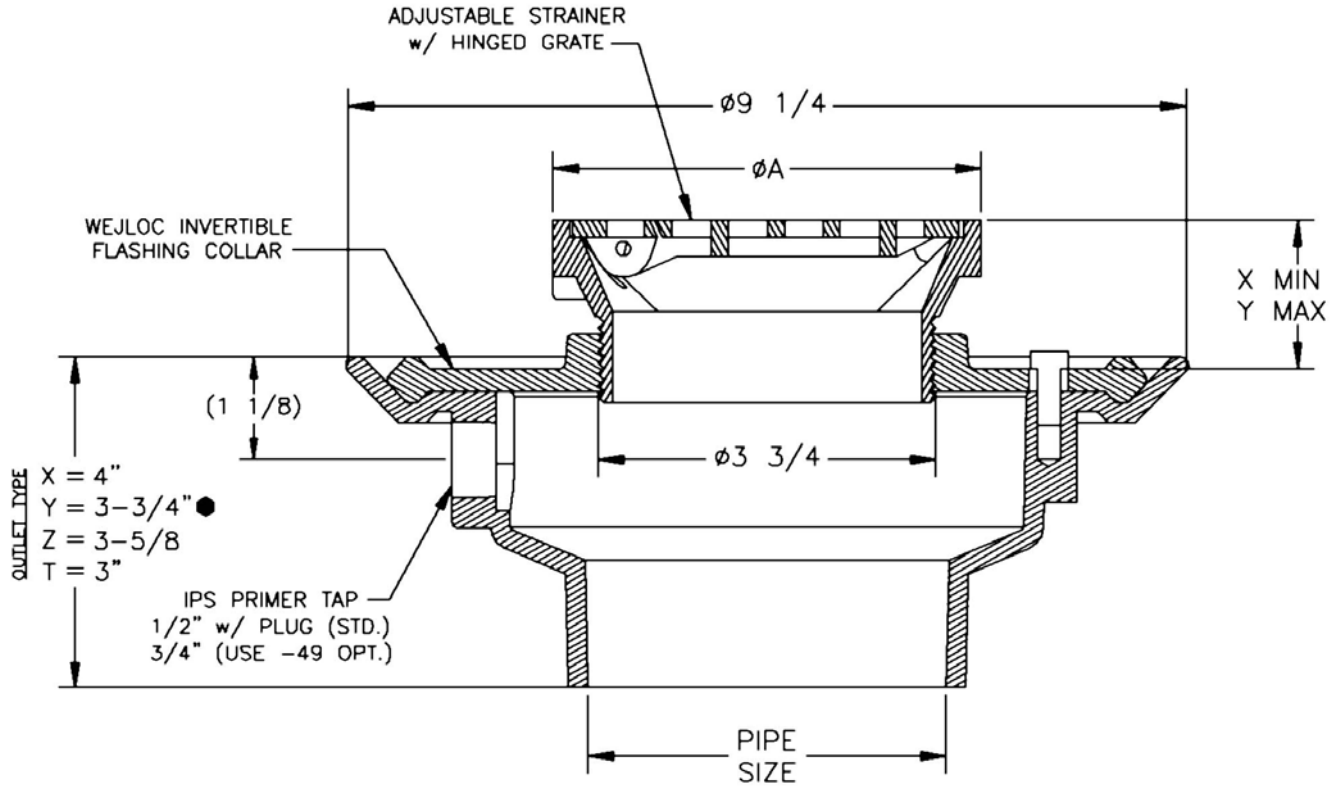
**SPECIFICATION:**

JOSAM 30000-T SERIES CAST IRON FLOOR DRAIN, TWO-PIECE BODY WITH DOUBLE DRAINAGE FLANGE AND 1/2" PRIMER TAP, WEJLOC® INVERTIBLE FLASHING COLLAR, WEEPHOLES, BOTTOM OUTLET CONNECTION AND NIKALOY ADJUSTABLE SQUARE HINGED GRATE.

**FLOOR DRAIN  
ADJUSTABLE FLOOR DRAIN**

**SERIES 30000-T**

● GASKET ON -Y CONNECTION  
CONFORMS WITH ASTM-C564



STRAINER	A	X	Y	FREE AREA
-5T	4 13/16	1 1/4	2 1/8	6.5
-6T	6	1 3/8	2 1/8	8.3
-9T	9	1 1/2	2 1/2	28.6

PIPE SIZE
2"
3"
4"

- TSO THREADED SIDE OUTLET
- ST WITH SHALLOW TRAP (2" AND 3" ONLY)
- PD PRISON DRAIN (2" AND 3" ONLY)
- ARE ACID-RESISTING EPOXY
- 49 3/4" PRIMER TAP
- 91 ROUGH BRONZE BODY
- 92 GALVANIZED CAST IRON PARTS
- SC SOLID COVER (6T SIZE ONLY)

- 2 BRONZE ADJUSTABLE STRAINER
- 80 PERFORATED STAINLESS STEEL BASKET
- J BACKWATER VALVE
- VP SECURED GRATE, VANDAL-PROOF SCREWS
- T THREADED OUTLET
- X INSIDE CAULK OUTLET
- Y HUB OUTLET WITH GASKET ●
- Z NO-HUB SPIGOT OUTLET

DRAWING No. 06/18/08

**A-15604-K**

**JOSAM COMPANY**  
MICHIGAN CITY, INDIANA

NOTES: