

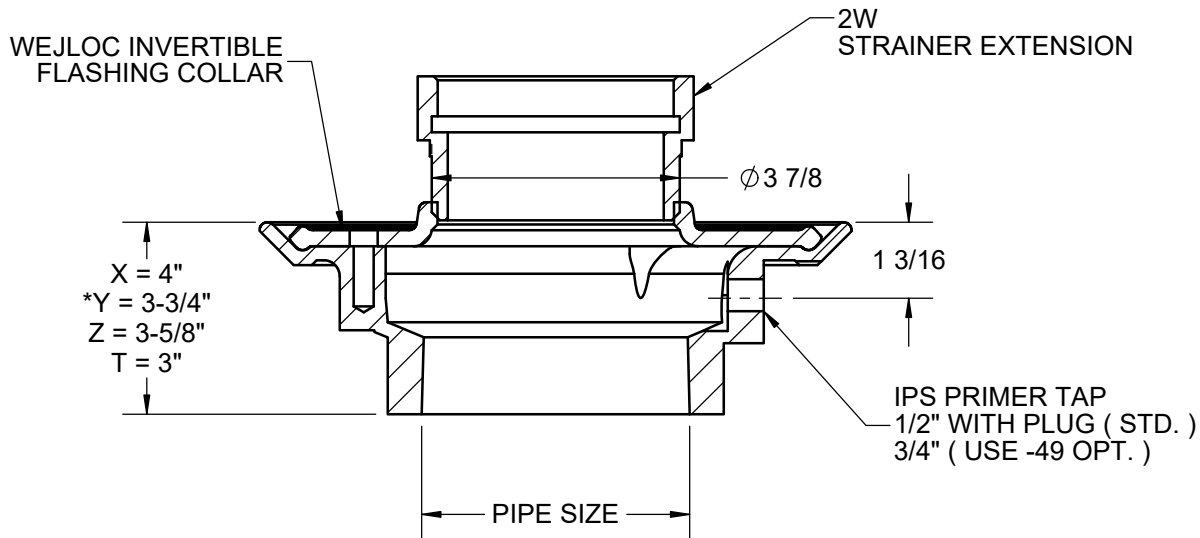
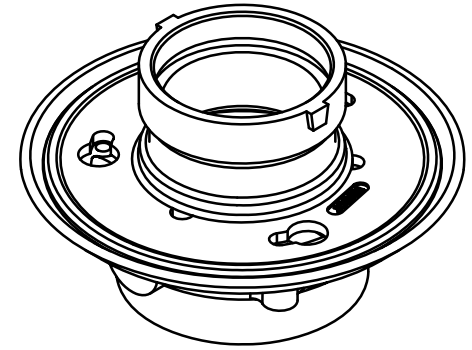
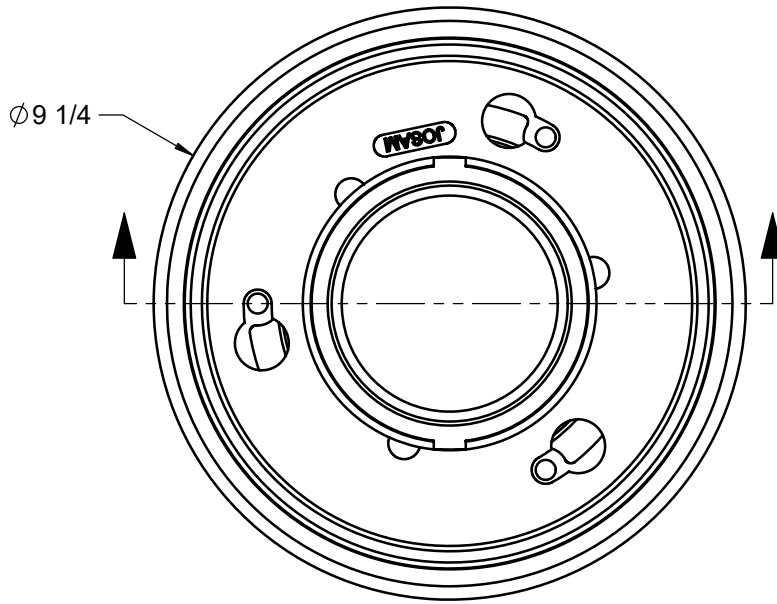
SPECIFICATION:

JOSAM FLOOR DRAIN WITH W STRAINER EXTENSION

**FLOOR DRAIN
STRAINER EXTENDED**

SERIES /
PART NO

30000-W



*GASKET ON -Y CONNECTION
CONFORMS WITH ASTM-C564

	2"	PIPE SIZE			
	3"	PIPE SIZE		-SS	STAINLESS STEEL TOP
	4"	PIPE SIZE		-2	BRONZE ADJUSTABLE STRAINER
	-TSO	THREADED SIDE OUTLET		-CP	CHROME PLATED STRAINER
	-WT	WITH TRAP		-J	BACKWATER VALVE
	-PD	PRISON DRAIN		-VP	SECURED GRATE, VANDAL-PROOF SCREWS
	-ARE	ACID-RESISTING EPOXY		-T	THREADED OUTLET
	-49	3/4" PRIMER TAP		-X	INSIDE CAULK OUTLET
	-91	ROUGH BRONZE BODY		-Y	HUB OUTLET WITH GASKET*
	-92	GALVANIZED CAST IRON PARTS		-Z	NO-HUB SPIGOT OUTLET

DATE OF LAST CHANGE: 04/06/22

DIMENSIONS ARE SUBJECT TO MANUFACTURERS
TOLERANCES AND CHANGE WITHOUT NOTICE.
WE CAN ASSUME NO RESPONSIBILITY FOR
USE OF SUPERSEDED OR VOID DATA.

JOSAM

MICHIGAN CITY, INDIANA

NOTES