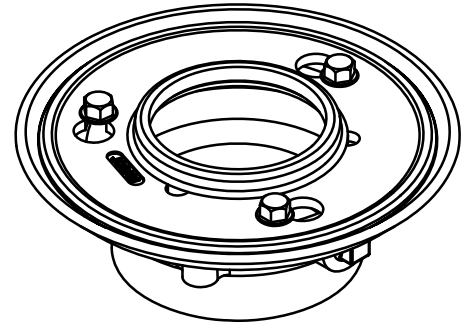
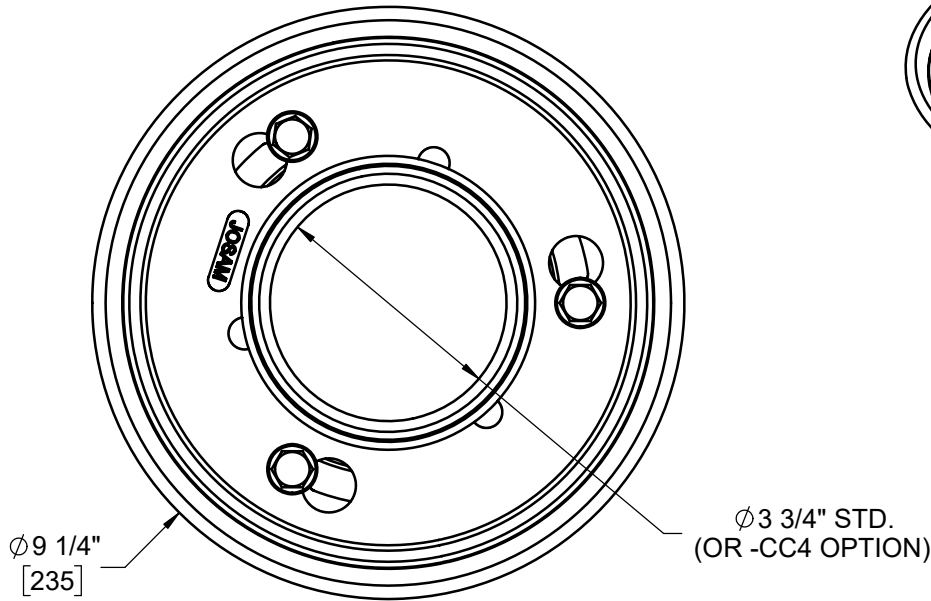


SPECIFICATION:

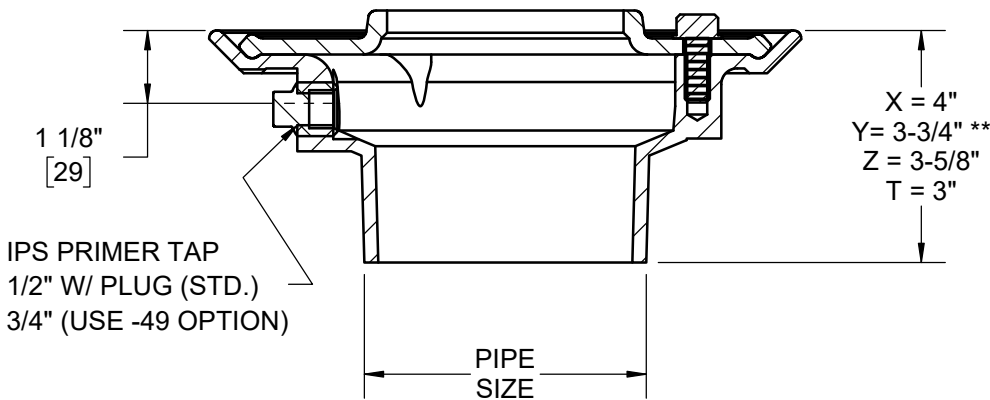
JOSAM 30000 SERIES CAST IRON FLOOR DRAIN, TWO-PIECE BODY WITH DOUBLE DRAINAGE FLANGE AND 1/2" PRIMER TAP WITH PLUG, BOTTOM OUTLET CONNECTION, WEJLOC INVERTIBLE FLASHING COLLAR, WEEPHOLES AND THREADED TO RECEIVE JOSAM ADJUSTABLE STRAINER.

**FLOOR DRAIN
BODY ONLY**

SERIES **30000**



PIPE SIZE	
	2"
	3"
	4"



** GASKET ON -Y CONNECTION CONFORMS WITH ASTM-C564

-TSO	THREADED SIDE OUTLET*
-ST	WITH SHALLOW TRAP (2" AND 3" ONLY)*
-PD	PRISON DRAIN (2" AND 3" ONLY)*
-ARE	ACID-RESISTING EPOXY
-49	3/4" PRIMER TAP
-CC4	4" TAPERED THREAD CLAMP COLLAR

-91	ROUGH BRONZE BODY
-92	GALVANIZED CAST IRON PARTS
-T	THREADED OUTLET
-X	INSIDE CAULK OUTLET
-Y	HUB OUTLET WITH GASKET**
-Z	NO-HUB SPIGOT OUTLET

*SEPARATE SUBMITTAL FOR THIS OPTION AVAILABLE

DATE OF LAST CHANGE: 06/26/19

DIMENSIONS ARE SUBJECT TO MANUFACTURERS TOLERANCES AND CHANGE WITHOUT NOTICE. WE CAN ASSUME NO RESPONSIBILITY FOR USE OF SUPERSEDED OR VOID DATA.

JOSAM

MICHIGAN CITY, INDIANA

NOTES