

SPECIFICATION:

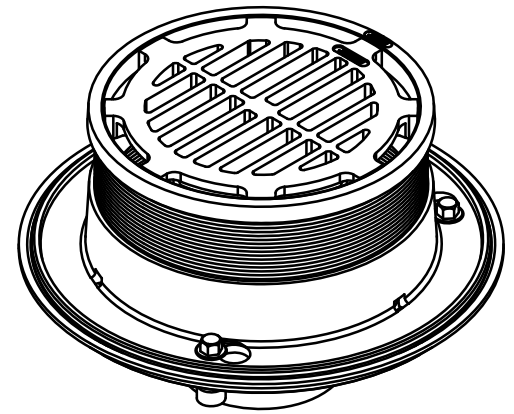
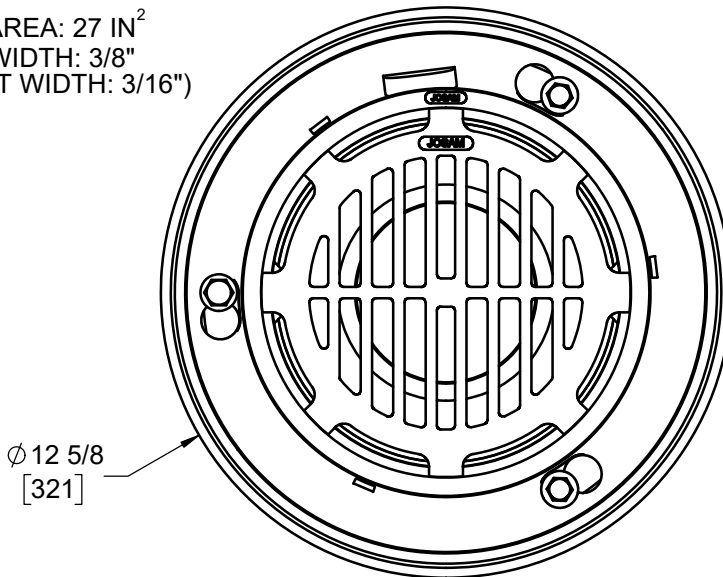
JOSAM 32100-AE SERIES COATED CAST IRON LEVELEZE FLOOR DRAIN, TWO PIECE BODY WITH DOUBLE DRAINAGE FLANGE, WEJLOC® NON-PUNCTURING FLASHING COLLAR, WEEPHOLES, BOTTOM OUTLET, ROUND TOP, ADJUSTABLE COLLAR WITH MACHINED THREAD AND MEDIUM-DUTY LOOSE-SET ANTI-TILTING SUPER-FLO GRATE WITH PERIMETER DRAINAGE SLOTS.

FLOOR DRAIN
9" ROUND TOP
LEVELEZE® , SUPER-FLO®

SERIES **32100-AE**

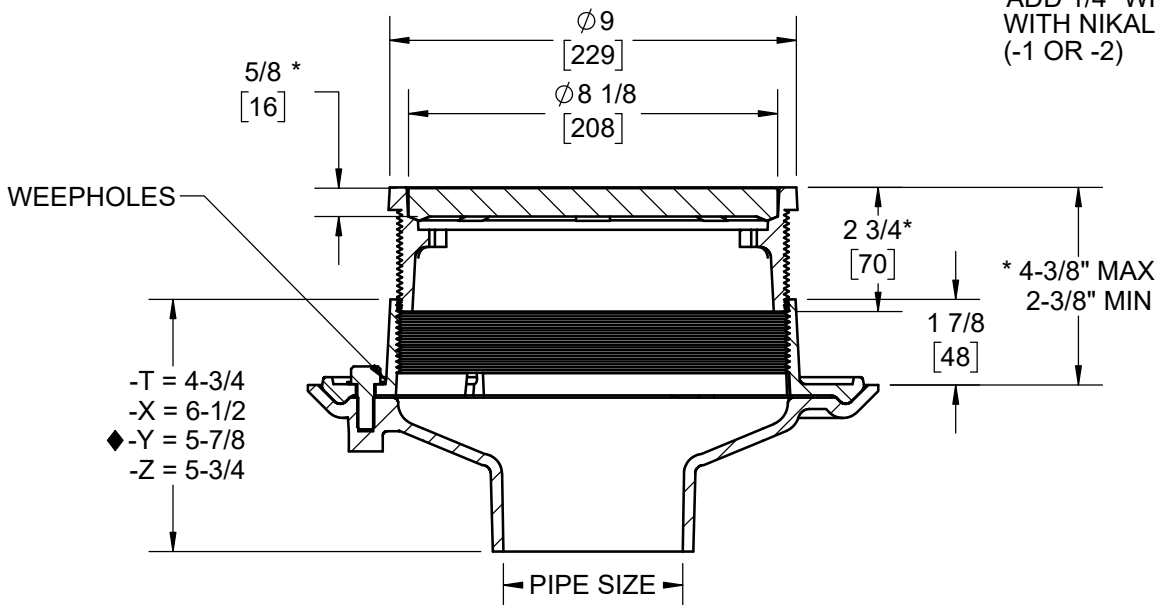
GRATE FREE AREA: 27 IN²
 STD. CI SLOT WIDTH: 3/8"
 (-1 AND -2 SLOT WIDTH: 3/16")

FORMERLY 31100 SERIES



◆ GASKET CONFORMS WITH ASTM-C564

*ADD 1/4" WHEN FURNISHED WITH NIKALOY OR BRONZE TOP (-1 OR -2)



	PIPE SIZE
	2"
	3"
	4"

WARNING: Cancer and Reproductive Harm - www.P65Warnings.ca.gov

X	-AE	LEVELEZE ADJUSTABLE EXTENSION		-VP	SECURED GRATE, VP SCREWS
	-39	SOLID CAST IRON COVER		-ARE	ACID-RESISTING EPOXY COATING
	-TG	TRACTOR GRATE		-49	3/4" PRIMER TAP
	-HP	HEEL-PROOF GRATE, CI, 5/16" SLOT WIDTH, 25 SQ IN FREE AREA		-50	1/2" PRIMER TAP
	-1	SATIN FINISH NIKALOY TOP		-66	NO-HUB SIDE OUTLET
	-2	SATIN FINISH BRONZE TOP		-81	SLOTTED CAST IRON BUCKET
	-7	DUCTILE IRON GRATE		-88	SUPPLEMENTARY STRAINER
	-11	EXTRA HEAVY-DUTY GRATE, CAST IRON		-92	GALVANIZED CAST IRON PARTS
	-13	DOME GRATE, CAST IRON		-T	THREADED OUTLET
	-13-1	DOME GRATE, NIKALOY		-X	INSIDE CAULK OUTLET □
	-13-2	DOME GRATE, BRONZE		-Y	HUB OUTLET WITH GASKET □
	-15	CHAINED GRATE		-Z	NO-HUB OUTLET

DATE OF LAST CHANGE: 8/21/23 JTJ

DIMENSIONS ARE SUBJECT TO MANUFACTURERS TOLERANCES AND CHANGE WITHOUT NOTICE. WE CAN ASSUME NO RESPONSIBILITY FOR USE OF SUPERSEDED OR VOID DATA.



MICHIGAN CITY, INDIANA

NOTES