

**SPECIFICATION:**

JOSAM 32100-SS SERIES TYPE 316L CAST STAINLESS STEEL FLOOR DRAIN, DOUBLE DRAINAGE FLANGE, WEEPHOLES, ROUND TOP, HEAVY-DUTY LOOSE-SET ANTI-TILTING SUPER-FLO® GRATE WITH PERIMETER DRAINAGE SLOTS, BOTTOM OUTLET, BUTT-WELD CONNECTION FOR SCHEDULE 40 PIPE.

**FLOOR DRAIN**

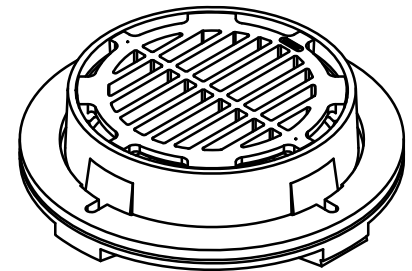
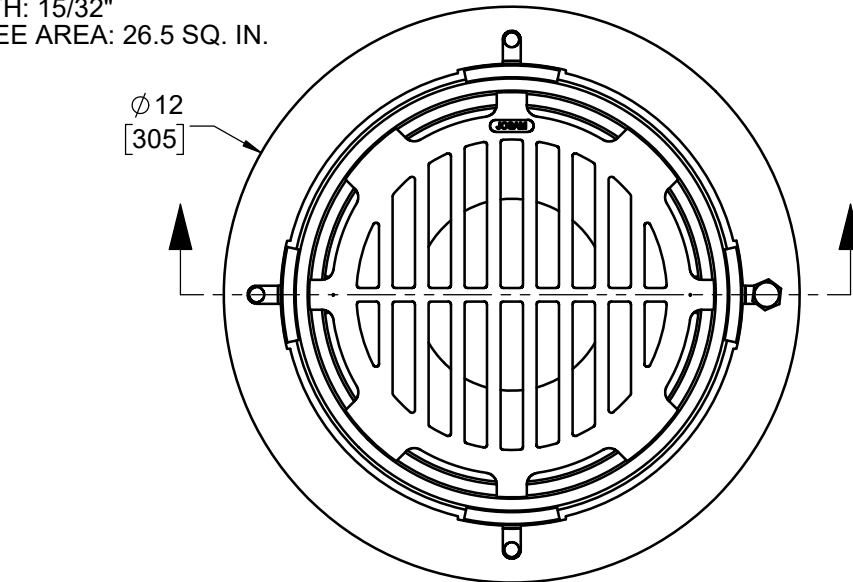
**9" ROUND TOP,  
STAINLESS STEEL**

SERIES

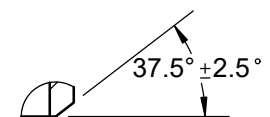
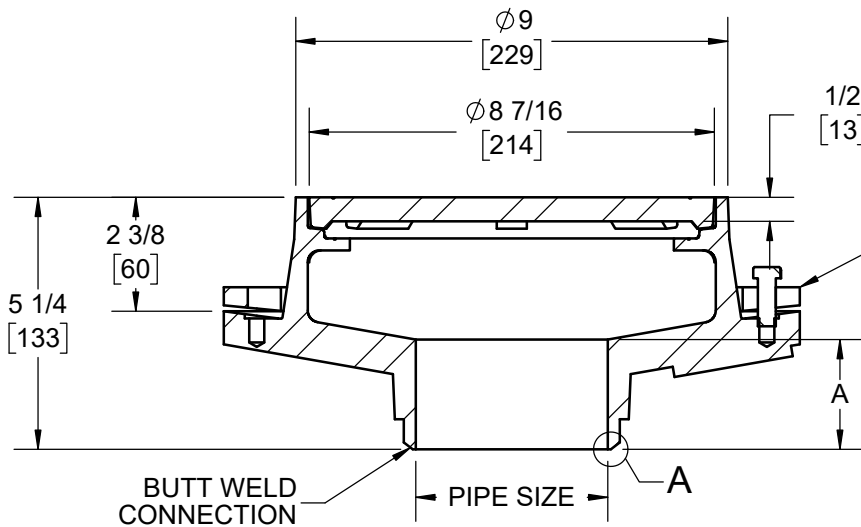
**32100-SS**

SLOT WIDTH: 15/32"  
GRATE FREE AREA: 26.5 SQ. IN.

FORMERLY 54230 SERIES



	PIPE SIZE	A
	2"	1-7/8"
	3"	2-5/16"
	4"	2-1/2"



**DETAIL A**

PRODUCT IS NON-CANCELABLE AND NON-RETURNABLE NAME: \_\_\_\_\_ SIGNATURE: \_\_\_\_\_ DATE: \_\_\_\_\_

△	-AE	LEVELEZE® ADJUSTABLE EXTENSION	-23	9" x 3" RECTANGULAR FABRICATED FUNNEL (316 SS)
△	-81	SLOTTED SS BUCKET	-25	TYPE 304 SS RECESSED CLOSURE PLUG
			-26	MOLDED ABS RECESSED CLOSURE PLUG
	-8	SOLID COVER	-34	"T" HANDLE FOR RECESSED PLUG
	-9	SS MESH ON UNDERSIDE OF GRATE	-61	FLASHING CLAMP DEVICE
	-21	4" SQUARE FABRICATED FUNNEL (316 SS)	-69	SCHEDULE 10S BUTT WELD CONNECTION
	-22	6" SQUARE FABRICATED FUNNEL (316 SS)		

△ SEPARATE SUBMITTAL FOR THIS OPTION AVAILABLE

DATE OF LAST CHANGE: 12/31/24 JTJ

DIMENSIONS ARE SUBJECT TO MANUFACTURERS TOLERANCES AND CHANGE WITHOUT NOTICE. WE CAN ASSUME NO RESPONSIBILITY FOR USE OF SUPERSEDED OR VOID DATA.

**JOSAM**

MICHIGAN CITY, INDIANA

NOTES