

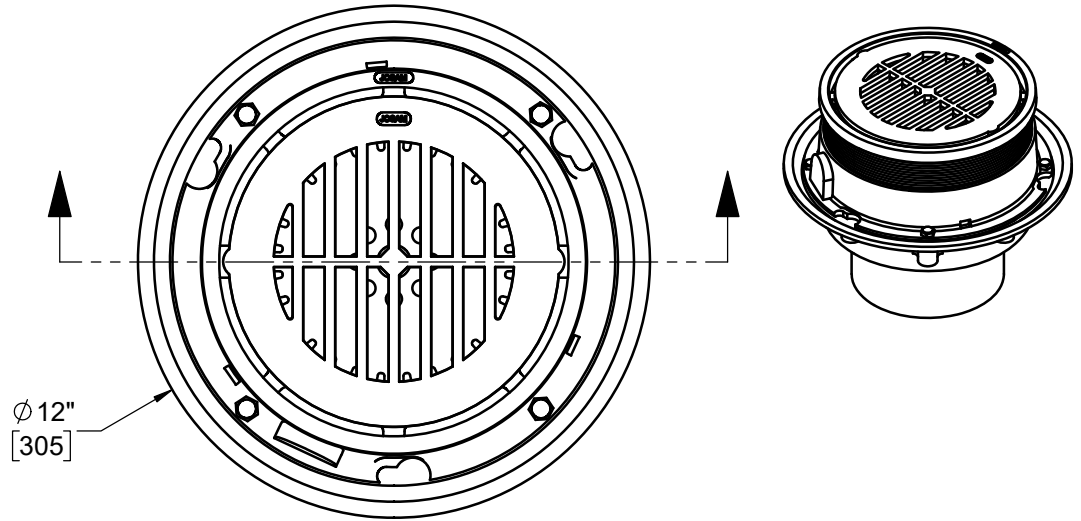
**SPECIFICATION:**

JOSAM 32106-AE-81 SERIES COATED CAST IRON LEVELEZE FLOOR DRAIN, TWO PIECE BODY WITH DOUBLE DRAINAGE FLANGE, NON-PUNCTURING FLASHING COLLAR, WEEPHOLES, 6" NO-HUB BOTTOM OUTLET, ADJUSTABLE COLLAR AND ROUND TOP WITH REMOVABLE SEDIMENT BUCKET THAT SUPPORTS A MEDIUM-DUTY LOOSE-SET ANTI-TILTING SUPER-FLO GRATE WITH PERIMETER DRAINAGE.

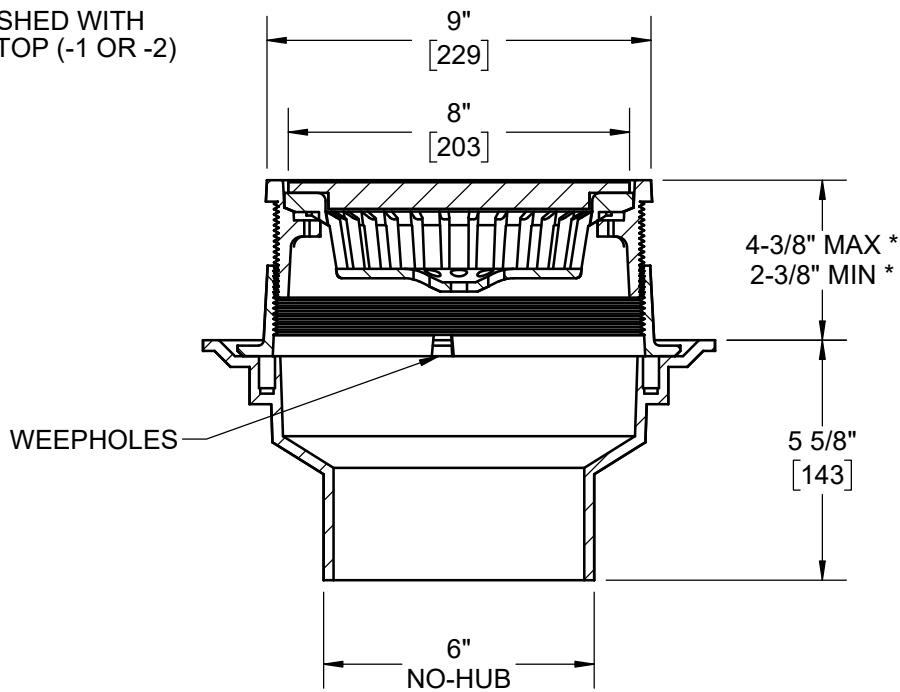
**FLOOR DRAIN**  
**9" ROUND TOP, 6" OUTLET**  
**LEVELEZE® , SUPER-FLO®**

SERIES **32106-AE-81**

GRATE FREE AREA: 22 IN<sup>2</sup>  
 STD. CI SLOT WIDTH: 3/8"  
 -1 AND -2 SLOT WIDTH: 3/16"



\* ADD 1/4" WHEN FURNISHED WITH NIKALOY OR BRONZE TOP (-1 OR -2)



**OPTIONS:**

X	-AE	LEVELEZE ADJUSTABLE EXTENSION		-50	1/2" PRIMER TAP
X	-81	SLOTTED CAST IRON BUCKET			
	-1	SATIN FINISH NIKALOY TOP		-84	STAINLESS STEEL MESH BUCKET LINER
	-2	SATIN FINISH BRONZE TOP		-88	SUPPLEMENTARY STRAINER
	-7	DUCTILE IRON GRATE		-92	GALVANIZED CAST IRON PARTS
	-15	CHAINED GRATE			
	-VP	SECURED GRATE, VP SCREWS			
	-ARE	ACID-RESISTING EPOXY COATING			
	-49	3/4" PRIMER TAP	X	-Z	NO-HUB OUTLET

WARNING: Cancer and Reproductive Harm - www.P65Warnings.ca.gov

DATE OF LAST CHANGE: 04/30/24

DIMENSIONS ARE SUBJECT TO MANUFACTURERS TOLERANCES AND CHANGE WITHOUT NOTICE. WE CAN ASSUME NO RESPONSIBILITY FOR USE OF SUPERSEDED OR VOID DATA.



MICHIGAN CITY, INDIANA

NOTES