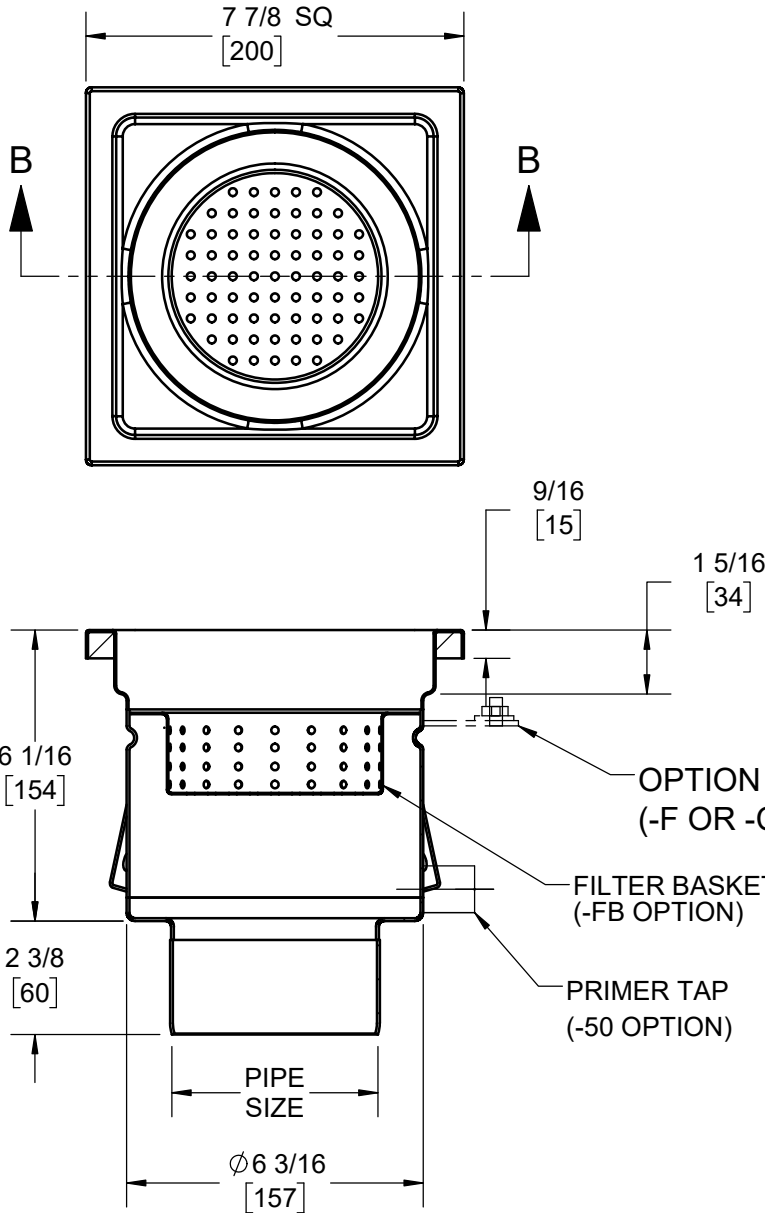


**SPECIFICATION:**

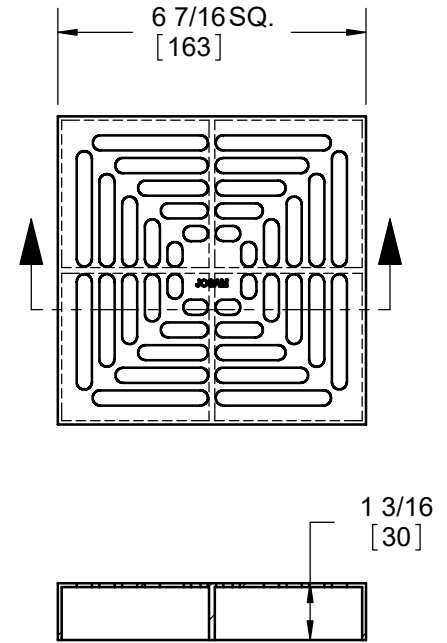
JOSAM SERIES 41430 FABRICATED STAINLESS STEEL (TYPE 304), 8" SQUARE TOP, 6" DEEP, WITH NO-HUB BOTTOM OUTLET, ANCHOR TABS AND PERFORATED SS GRATE (STANDARD).

**SS DRAIN**  
8" SQUARE TOP, 6" DEEP

SERIES **41430**



**STANDARD GRATE**  
FREE AREA = 18.1 IN<sup>2</sup>  
MEETS ADA AND HEEL-PROOF REQS.



MODEL	PIPE SIZE
41432	2"
41433	3"
41434	4"

**OPTIONS:**

-NB	NICKEL BRONZE RIM & GRATE (*ADD 0.6")
-FB	FILTER BASKET
-SB	SEDIMENT BUCKET
-VP	SECURED GRATE
-50	1/2" PRIMER TAP
-BW	BUTT-WELD OUTLET (SPEC. 10, 40, 80)
-T	THREADED OUTLET
-F	FLANGE
-CF	CLAMP AND FLANGE
-POF	PUSH-FIT OUTLET

-WH	WEEPHOLES 1/8" (3 X)
-NG	NO GRATE
-HG	PERF. HALF GRATE
-3Q	PERF. 3/4 GRATE
-MG	MESH, ANTI-SLIP GRATE
-LG	LADDER GRATE
-SG	PERIMETER SLOT COVER
-316	TYPE 316L MATERIAL
-DB	DOME BOTTOM STRAINER

WARNING: Cancer and Reproductive Harm - www.P65Warnings.ca.gov

DATE OF LAST CHANGE: 01/11/23 BLK

DIMENSIONS ARE SUBJECT TO MANUFACTURERS TOLERANCES AND CHANGE WITHOUT NOTICE. WE CAN ASSUME NO RESPONSIBILITY FOR USE OF SUPERSEDED OR VOID DATA.

**JOSAM**  
MICHIGAN CITY, INDIANA

NOTES