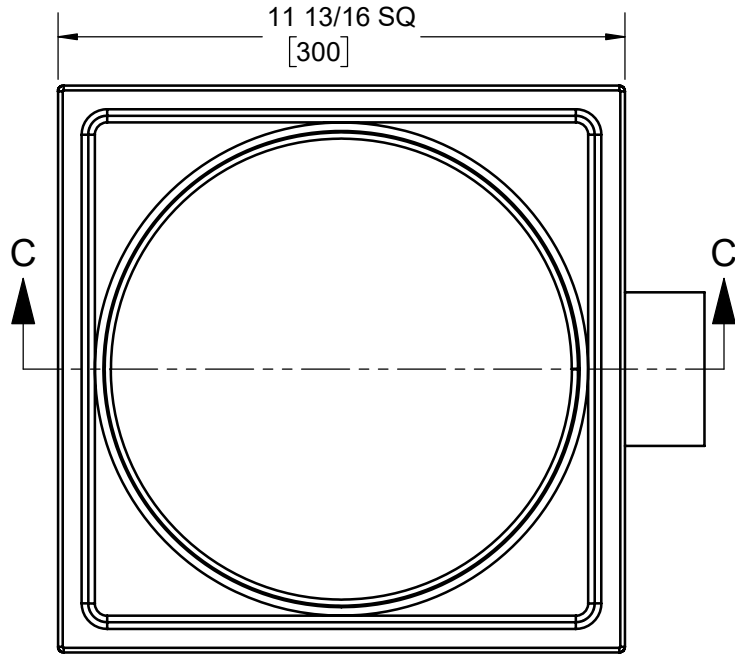


SPECIFICATION:

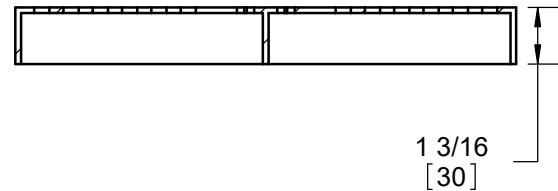
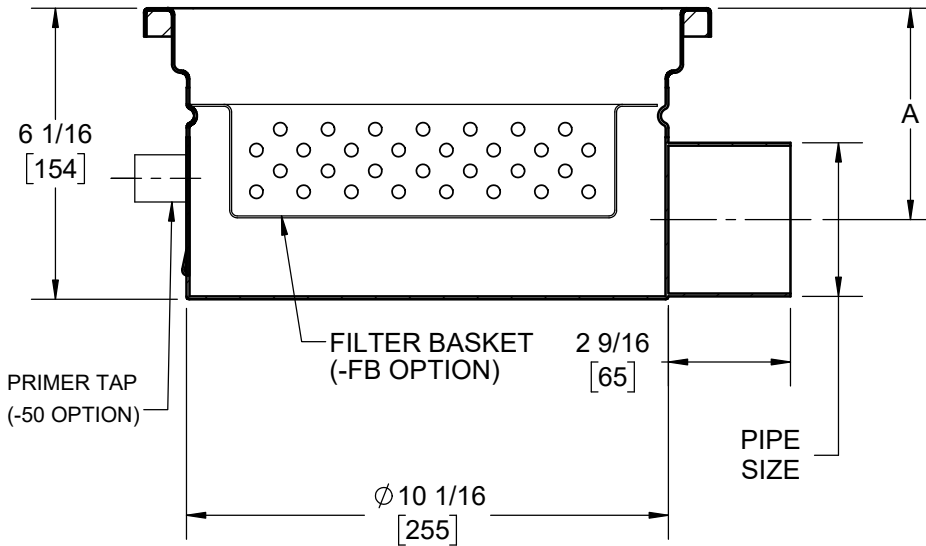
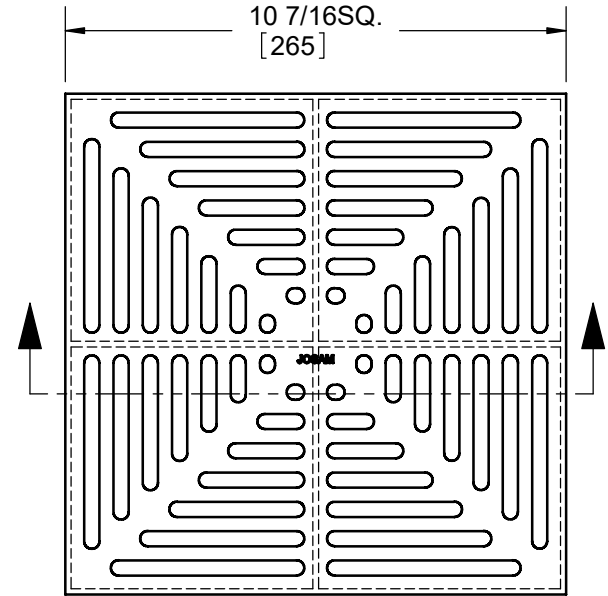
JOSAM SERIES 41630-SO FABRICATED STAINLESS STEEL (TYPE 304), 12" SQUARE TOP, 6" DEEP, WITH NO-HUB SIDE OUTLET, ANCHOR TABS AND PERFORATED SS GRATE (STANDARD).

SS DRAIN
12" SQUARE TOP, 6" DEEP
SIDE OUTLET

SERIES **41630-SO**



STANDARD GRATE
FREE AREA = 42.3 IN²
MEETS ADA AND HEEL-PROOF REQS.



	MODEL	PIPE SIZE	A
	41632-SO	2"	4.4 [112]
	41633-SO	3"	4.1 [104]

OPTIONS:

-FB	FILTER BASKET
-SB	SEDIMENT BUCKET
-VP	SECURED GRATE
-50	1/2" PRIMER TAP
-BW	BUTT-WELD OUTLET (SPEC. 10, 40, 80)
-T	THREADED OUTLET
-PFO	PUSH-FIT OUTLET

-NG	NO GRATE
-HG	PERF. HALF GRATE
-3Q	PERF. 3/4 GRATE
-MG	MESH, ANTI-SLIP GRATE
-LG	LADDER GRATE
-SG	PERIMETER SLOT GRATE
-SPG	SLOTTED PLATE GRATE
-316	TYPE 316L MATERIAL

WARNING: Cancer and Reproductive Harm - www.P65Warnings.ca.gov

DATE OF LAST CHANGE: 11/28/23

DIMENSIONS ARE SUBJECT TO MANUFACTURERS TOLERANCES AND CHANGE WITHOUT NOTICE. WE CAN ASSUME NO RESPONSIBILITY FOR USE OF SUPERSEDED OR VOID DATA.

JOSAM
MICHIGAN CITY, INDIANA

NOTES