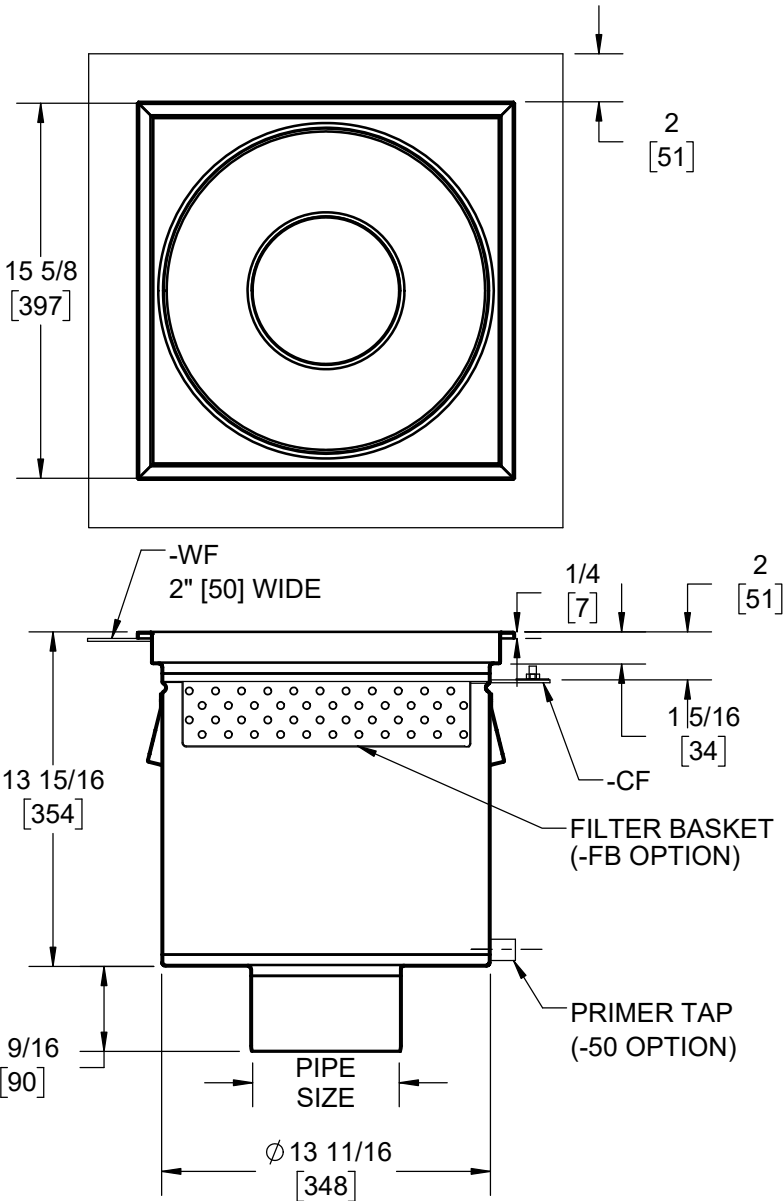


**SPECIFICATION:**

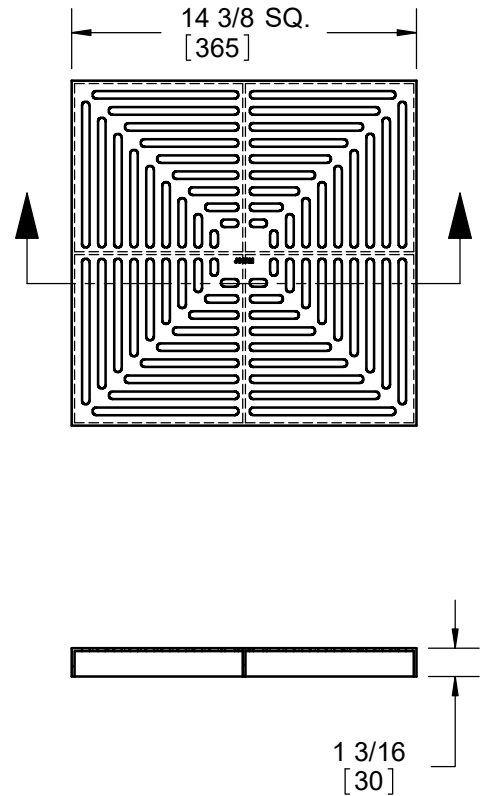
JOSAM SERIES 41870 FABRICATED STAINLESS STEEL (TYPE 304),  
 16" SQUARE TOP, 14" DEEP, WITH NO-HUB BOTTOM OUTLET,  
 ANCHOR TABS AND PERFORATED SS GRATE (STANDARD).

**SS DRAIN**  
 16" SQUARE TOP, 14" DEEP

SERIES **41870**



**STANDARD GRATE**  
 FREE AREA = 75.4 IN<sup>2</sup>  
 MEETS ADA AND HEEL-PROOF REQS.



	MODEL	PIPE SIZE
	41874	4"
	41876	6"
	41878	8"

**OPTIONS:**

-CF	CLAMP AND FLANGE
-WF	WIDE FLANGE
-FB	FILTER BASKET
-FBD	FILTER BASKET, DEEP (8")
-SB	SEDIMENT BUCKET
-SBD	SEDIMENT BUCKET, DEEP (8")
-VP	SECURED GRATE
-50	1/2" PRIMER TAP
-BW	BUTT-WELD OUTLET (SPEC. 10, 40, 80)
-T	THREADED OUTLET
-PFO	PUSH-FIT OUTLET SIZE

-DB	DOMED BOTTOM STRAINER
-NG	NO GRATE
-HG	PERF. HALF GRATE
-3Q	PERF. 3/4 GRATE
-MG	MESH, ANTI-SLIP GRATE
-LG	LADDER GRATE
-SG	PERIMETER SLOT GRATE
-316	TYPE 316L MATERIAL

WARNING: Cancer and Reproductive Harm - www.P65Warnings.ca.gov

DATE OF LAST CHANGE: 01/12/23 | BLK

DIMENSIONS ARE SUBJECT TO MANUFACTURERS TOLERANCES AND CHANGE WITHOUT NOTICE. WE CAN ASSUME NO RESPONSIBILITY FOR USE OF SUPERSEDED OR VOID DATA.

**JOSAM**  
 MICHIGAN CITY, INDIANA

NOTES