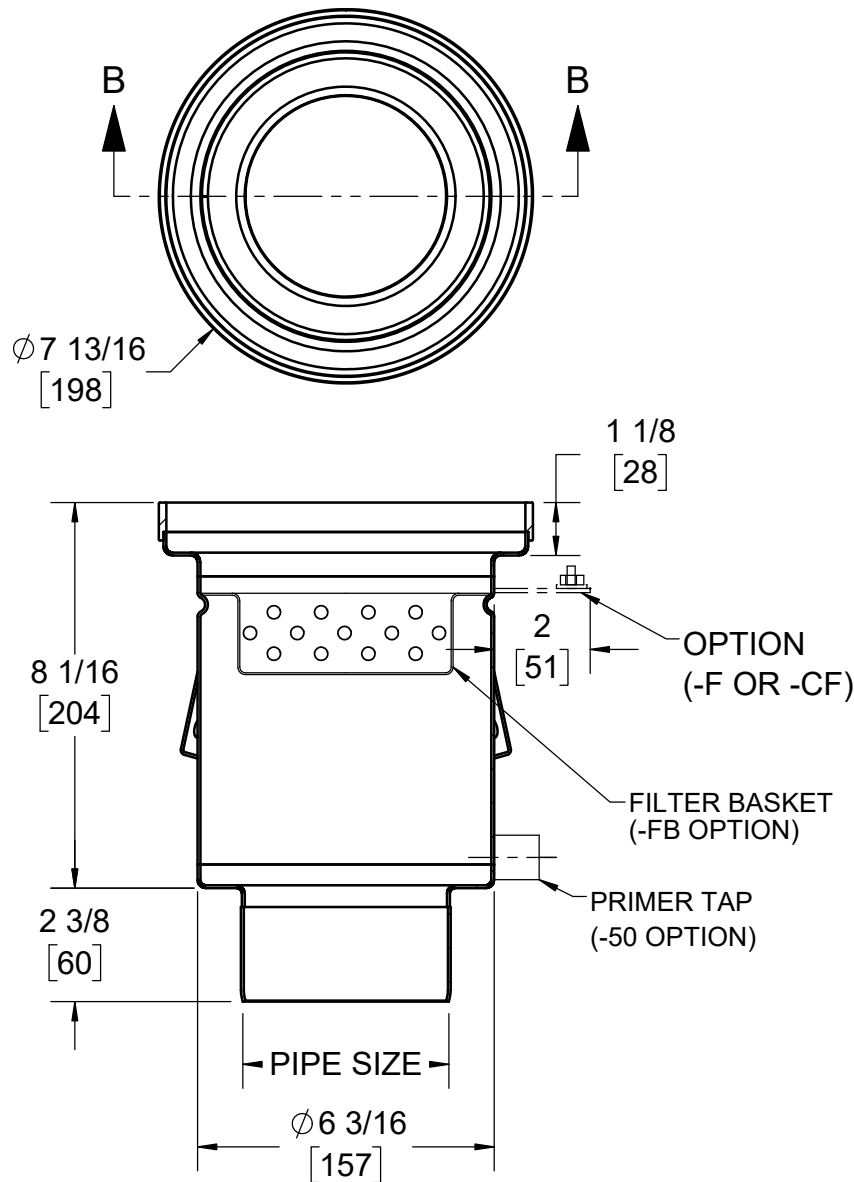


SPECIFICATION:

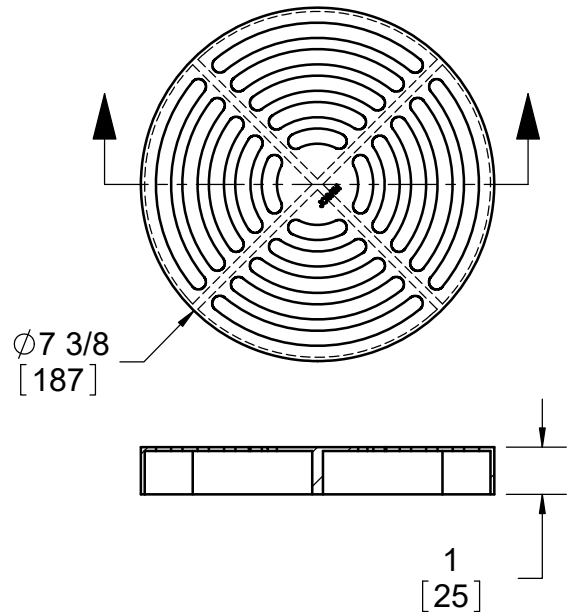
JOSAM SERIES 42440 STAINLESS STEEL (TYPE 304), 8" ROUND TOP, 8" DEEP, WITH NO-HUB BOTTOM OUTLET, ANCHOR TABS AND PERFORATED SS GRATE (STANDARD).

SS DRAIN
8" ROUND TOP, 8" DEEP

SERIES **42440**



STANDARD GRATE
FREE AREA = 18.4 IN²
MEETS ADA AND HEEL-PROOF REQMNTS.



OPTION
(-F OR -CF)

FILTER BASKET
(-FB OPTION)

PRIMER TAP
(-50 OPTION)

MODEL	PIPE SIZE
42442	2"
42443	3"
42444	4"

OPTIONS:

-FB	FILTER BASKET
-SB	SEDIMENT BUCKET
-VP	SECURED GRATE
-SO	SIDE OUTLET
-50	1/2" PRIMER TAP
-T	THREADED OUTLET
-316	TYPE 316L MATERIAL
-BW	BUTT-WELD OUTLET (SPEC. 10, 40, 80)
-F	FLANGE ONLY
-CF	CLAMP AND FLANGE

-NG	NO GRATE
-HG	PERF. HALF GRATE
-3Q	PERF. 3/4 GRATE
-MG	MESH, ANTI-SLIP GRATE
-LG	LADDER GRATE
-SG	PERIMETER SLOT GRATE
-SK	SEALED COVER W/ EYEBOLT KEY
-SV	SEALED COVER W/ VACUUM HNDL
-WH	WEEP HOLES
-DB	DOME BOTTOM STRAINER

WARNING: Cancer and Reproductive Harm - www.P65Warnings.ca.gov

DATE OF LAST CHANGE: 01/11/23 BLK

DIMENSIONS ARE SUBJECT TO MANUFACTURERS TOLERANCES AND CHANGE WITHOUT NOTICE. WE CAN ASSUME NO RESPONSIBILITY FOR USE OF SUPERSEDED OR VOID DATA.

JOSAM
MICHIGAN CITY, INDIANA

NOTES