

SPECIFICATION:

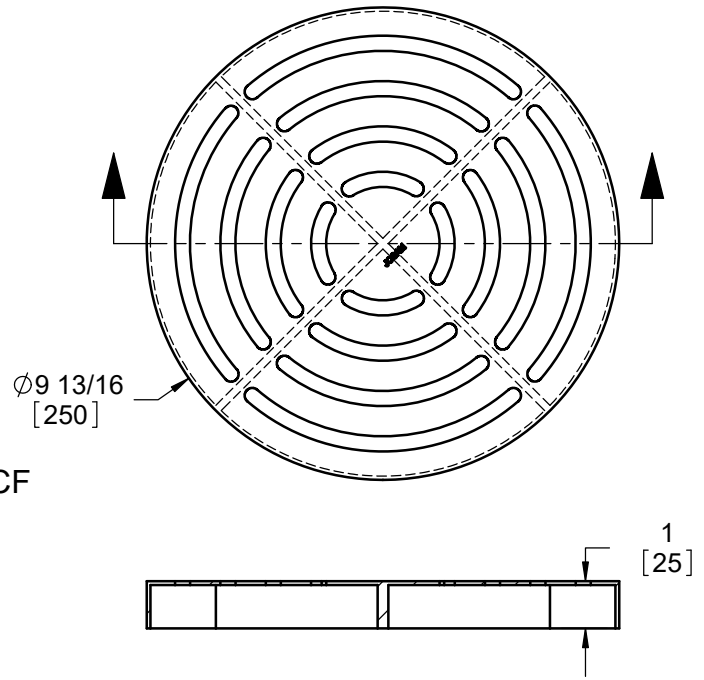
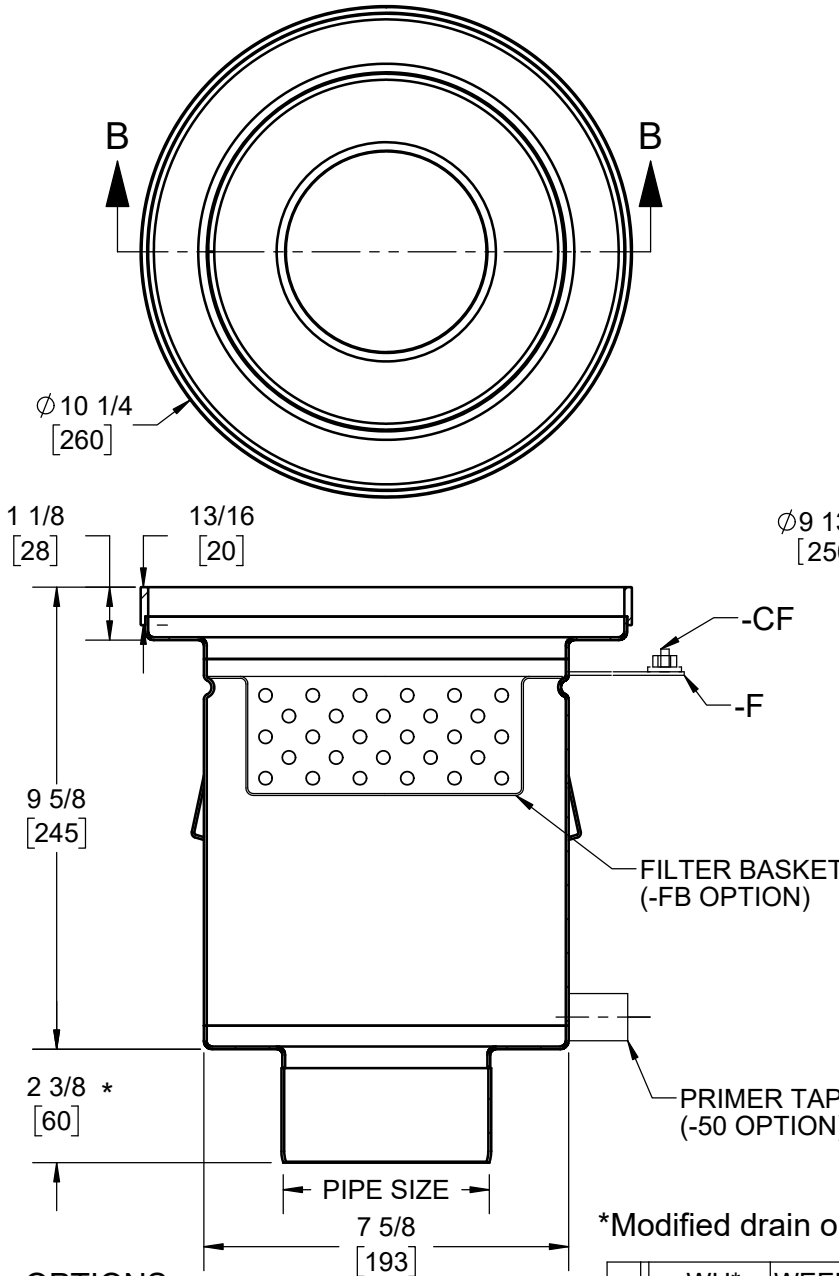
JOSAM SERIES 42550 FABRICATED STAINLESS STEEL (TYPE 304), 10" ROUND TOP, 10" DEEP, WITH NO-HUB BOTTOM OUTLET, ANCHOR TABS AND PERFORATED SS GRATE (STANDARD).

SS DRAIN
10" ROUND TOP, 10" DEEP

SERIES **42550**

STANDARD GRATE

FREE AREA = 19.9 IN²
MEETS ADA AND HEEL-PROOF REQMNTS.



MODEL	PIPE SIZE
42552	2"
42553	3"
42554	4"
42556	6"

**3.75 [95] FOR 6" OUTLET

*Modified drain options are non-cancellable and nonreturnable

OPTIONS:

-PFO*	OUTLET FOR SS PUSH-FIT PIPE
-FB	FILTER BASKET
-SB	SEDIMENT BUCKET
-VP*	SECURED GRATE
-SO	SIDE OUTLET
-50*	1/2" PRIMER TAP
-T*	THREADED OUTLET
-316*	TYPE 316L MATERIAL
-BW*	BUTT-WELD OUTLET (SPEC. 10, 40, 80)
-DB	DOME BOTTOM STRAINER

-WH*	WEEPHOLES (WITH -F OR -CF ONLY)
-F*	FLANGE
-CF*	CLAMP AND FLANGE
-NG	NO GRATE
-HG	PERF. HALF GRATE
-3Q	PERF. 3/4 GRATE
-MG	MESH, ANTI-SLIP GRATE
-LG	LADDER GRATE
-SG	PERIMETER SLOT GRATE
-SK	SEALED COVER W/ EYEBOLT KEY
-SV	SEALED COVER W/ VACUUM HANDLE

WARNING: Cancer and Reproductive Harm - www.P65Warnings.ca.gov

DATE OF LAST CHANGE: 01/11/23 BLK

DIMENSIONS ARE SUBJECT TO MANUFACTURERS TOLERANCES AND CHANGE WITHOUT NOTICE. WE CAN ASSUME NO RESPONSIBILITY FOR USE OF SUPERSEDED OR VOID DATA.

JOSAM
MICHIGAN CITY, INDIANA

NOTES