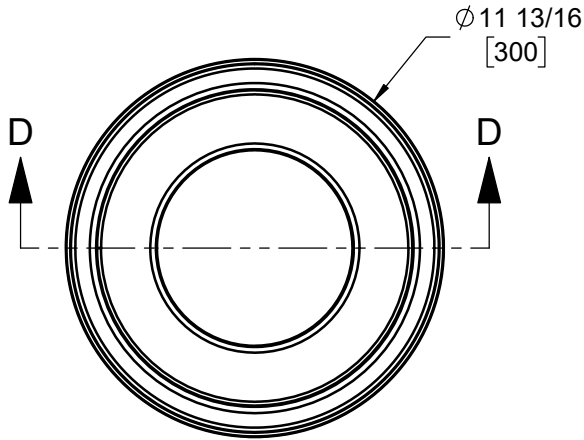


SPECIFICATION:

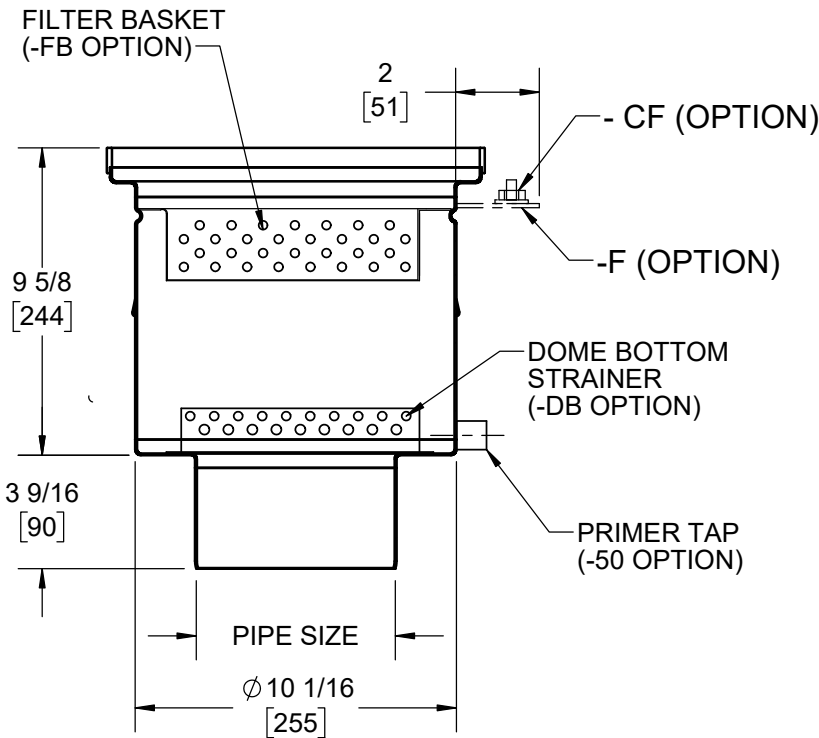
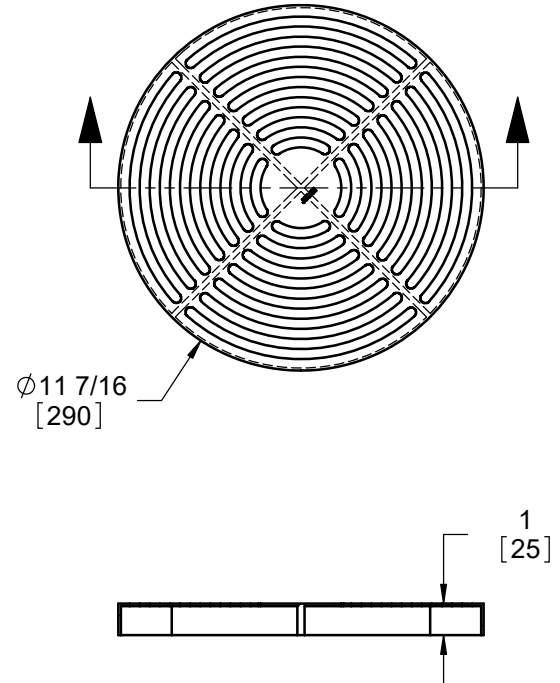
JOSAM SERIES 42650 FABRICATED STAINLESS STEEL (TYPE 304), 12" ROUND TOP, 10" DEEP, WITH NO-HUB BOTTOM OUTLET, ANCHOR TABS AND PERFORATED SS GRATE (STANDARD).

SS DRAIN
12" ROUND TOP, 10" DEEP

SERIES **42650**



STANDARD GRATE
FREE AREA = 42.4 IN²
MEETS ADA AND HEEL-PROOF REQS.



MODEL	PIPE SIZE
42653	3"
42654	4"
42656	6"

OPTIONS:

-FB	FILTER BASKET
-SB	SEDIMENT BUCKET
-VP	SECURED GRATE
-SO	SIDE OUTLET
-50	1/2" PRIMER TAP
-T	THREADED OUTLET
-BW	BUTT-WELD OUTLET (SPEC. 10, 40, 80)
-PFO	PUSH-FIT OUTLET

-DB	DOME BOTTOM STRAINER
-CF	CLAMP AND FLANGE
-NG	NO GRATE
-HG	PERF. HALF GRATE
-3Q	PERF. 3/4 GRATE
-MG	MESH, ANTI-SLIP GRATE
-LG	LADDER GRATE
-SG	PERIMETER SLOT GRATE
-316	TYPE 316L MATERIAL

WARNING: Cancer and Reproductive Harm - www.P65Warnings.ca.gov

DATE OF LAST CHANGE: 01/12/23 BLK

DIMENSIONS ARE SUBJECT TO MANUFACTURERS TOLERANCES AND CHANGE WITHOUT NOTICE. WE CAN ASSUME NO RESPONSIBILITY FOR USE OF SUPERSEDED OR VOID DATA.

JOSAM
MICHIGAN CITY, INDIANA

NOTES