

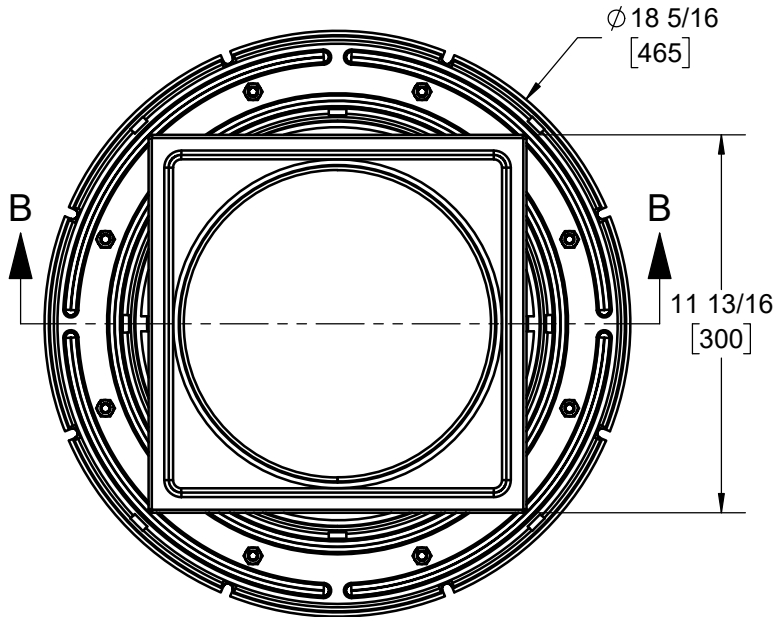
SPECIFICATION:

JOSAM SERIES 43670-SO FABRICATED STAINLESS STEEL (TYPE 304), 12" SQUARE TOP, ADJUSTABLE DEPTH, WITH NO-HUB SIDE OUTLET, LEVELING FEET, MEMBRANE CLAMP, AND PERFORATED SS GRATE (STANDARD).

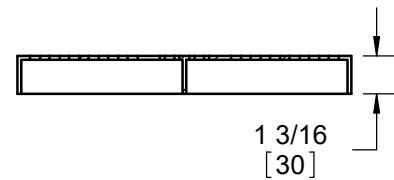
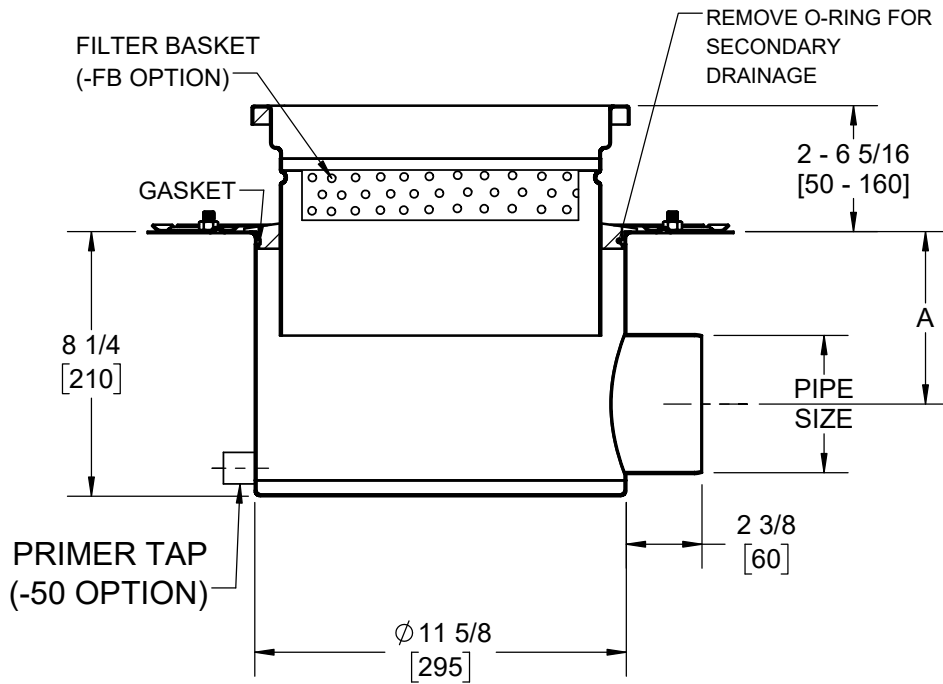
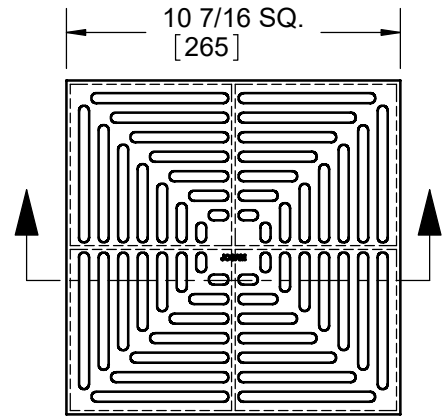
SS DRAIN

12" SQUARE TOP, ADJUSTABLE SIDE OUTLET

SERIES **43670-SO**



STANDARD GRATE
 FREE AREA = 42.3 IN²
 MEETS ADA AND HEEL-PROOF REQS.



MODEL	PIPE SIZE	A
43673	3"	6.1 [154]
43674	4"	5.6 [141]
43676	6"	4.6 [116]

OPTIONS:

	-FB	FILTER BASKET
	-SB	SEDIMENT BUCKET
	-VP	SECURED GRATE
X	-SO	SIDE OUTLET
	-50	1/2" PRIMER TAP
	-T	THREADED OUTLET
	-BW	BUTT-WELD OUTLET (SPEC. 10, 40, 80)

	-PFO	PUSH-FIT OUTLET
	-NG	NO GRATE
	-HG	PERF. HALF GRATE
	-3Q	PERF. 3/4 GRATE
	-MG	MESH, ANTI-SLIP GRATE
	-LG	LADDER GRATE
	-SG	PERIMETER SLOT GRATE
	-316	TYPE 316L MATERIAL

WARNING: Cancer and Reproductive Harm - www.P65Warnings.ca.gov

DATE OF LAST CHANGE: 09/16/21

DIMENSIONS ARE SUBJECT TO MANUFACTURERS TOLERANCES AND CHANGE WITHOUT NOTICE. WE CAN ASSUME NO RESPONSIBILITY FOR USE OF SUPERSEDED OR VOID DATA.

JOSAM

MICHIGAN CITY, INDIANA

NOTES