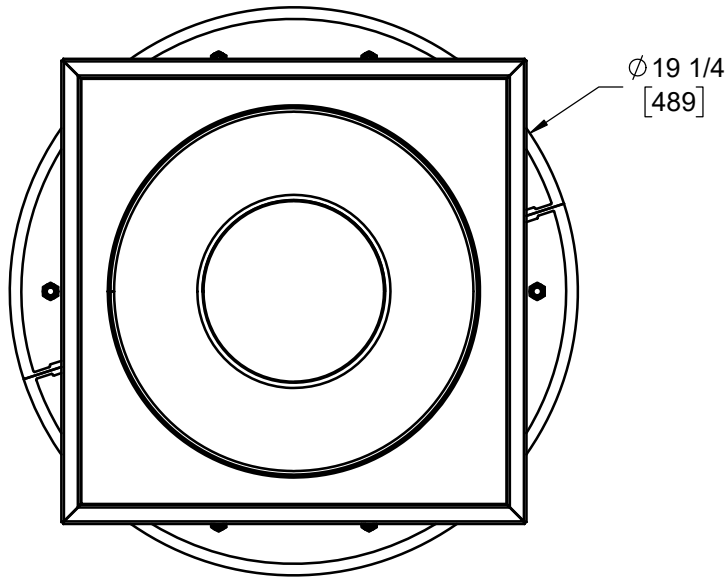


**SPECIFICATION:**

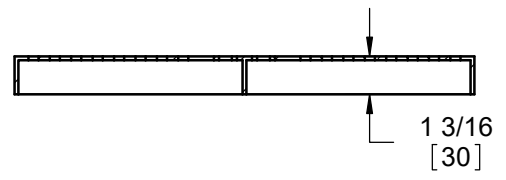
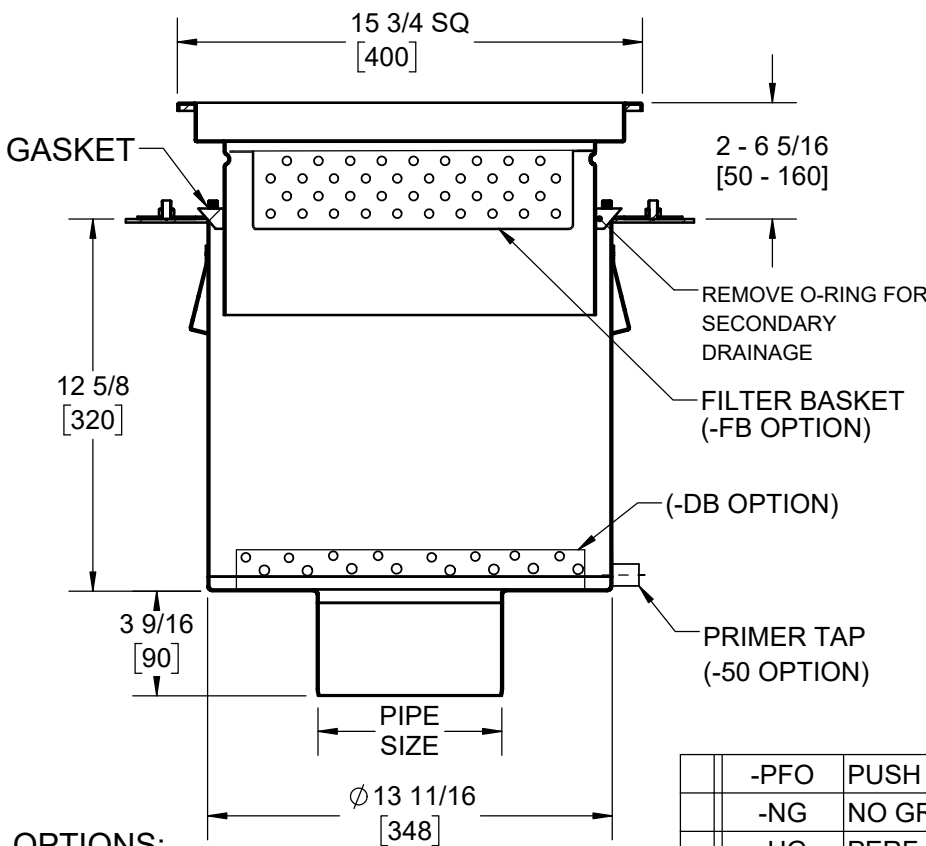
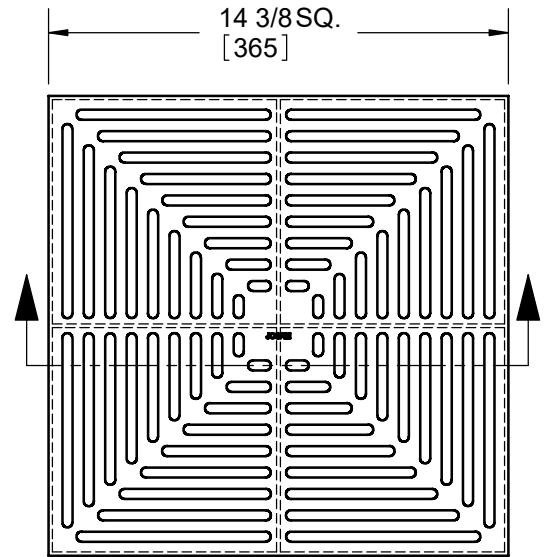
JOSAM SERIES 43890 FABRICATED STAINLESS STEEL (TYPE 304), 16" SQUARE TOP, ADJUSTABLE DEPTH, WITH NO-HUB BOTTOM OUTLET, LEVELING FEET, MEMBRANE CLAMP AND PERFORATED SS GRATE (STANDARD).

**SS DRAIN**  
16" SQUARE TOP, ADJUSTABLE

SERIES **43890**



**STANDARD GRATE**  
FREE AREA = 75.4 IN<sup>2</sup>  
MEETS ADA AND HEEL-PROOF REQS.



MODEL	PIPE SIZE
43894	4"
43896	6"
43898	8"

**OPTIONS:**

-FB	FILTER BASKET
-SB	SEDIMENT BUCKET
-VP	SECURED GRATE
-50	1/2" PRIMER TAP
-BW	BUTT-WELD OUTLET (SPEC. 10, 40, 80)
-T	THREADED OUTLET

-PFO	PUSH FIT OUTLET
-NG	NO GRATE
-HG	PERF. HALF GRATE
-3Q	PERF. 3/4 GRATE
-MG	MESH, ANTI-SLIP GRATE
-LG	LADDER GRATE
-SG	PERIMETER SLOT GRATE
-316	TYPE 316L MATERIAL
-DB	DOMED BOTTOM STRAINER

WARNING: Cancer and Reproductive Harm - www.P65Warnings.ca.gov

DATE OF LAST CHANGE: 01/12/23 BLK

DIMENSIONS ARE SUBJECT TO MANUFACTURERS TOLERANCES AND CHANGE WITHOUT NOTICE. WE CAN ASSUME NO RESPONSIBILITY FOR USE OF SUPERSEDED OR VOID DATA.



NOTES