

SPECIFICATION:

JOSAM SERIES 44570-SO FABRICATED STAINLESS STEEL (TYPE 304), 10" ROUND TOP, ADJUSTABLE DEPTH, WITH NO-HUB SIDE OUTLET, LEVELING FEET, MEMBRANE CLAMP AND PERFORATED SS GRATE (STANDARD).

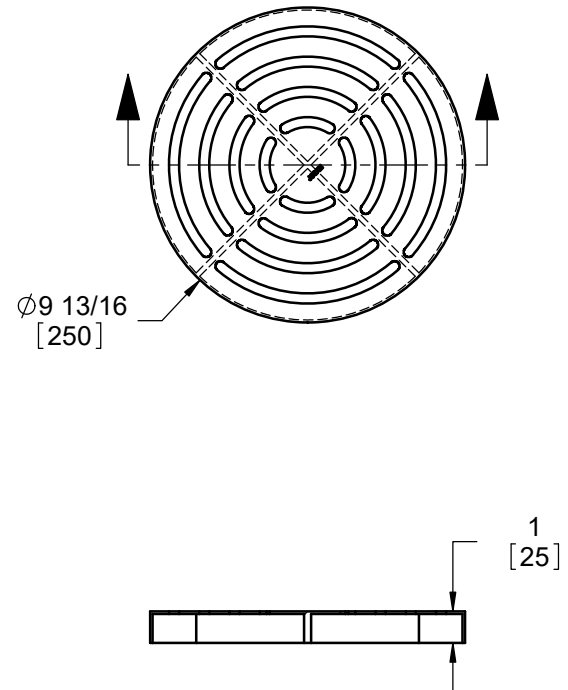
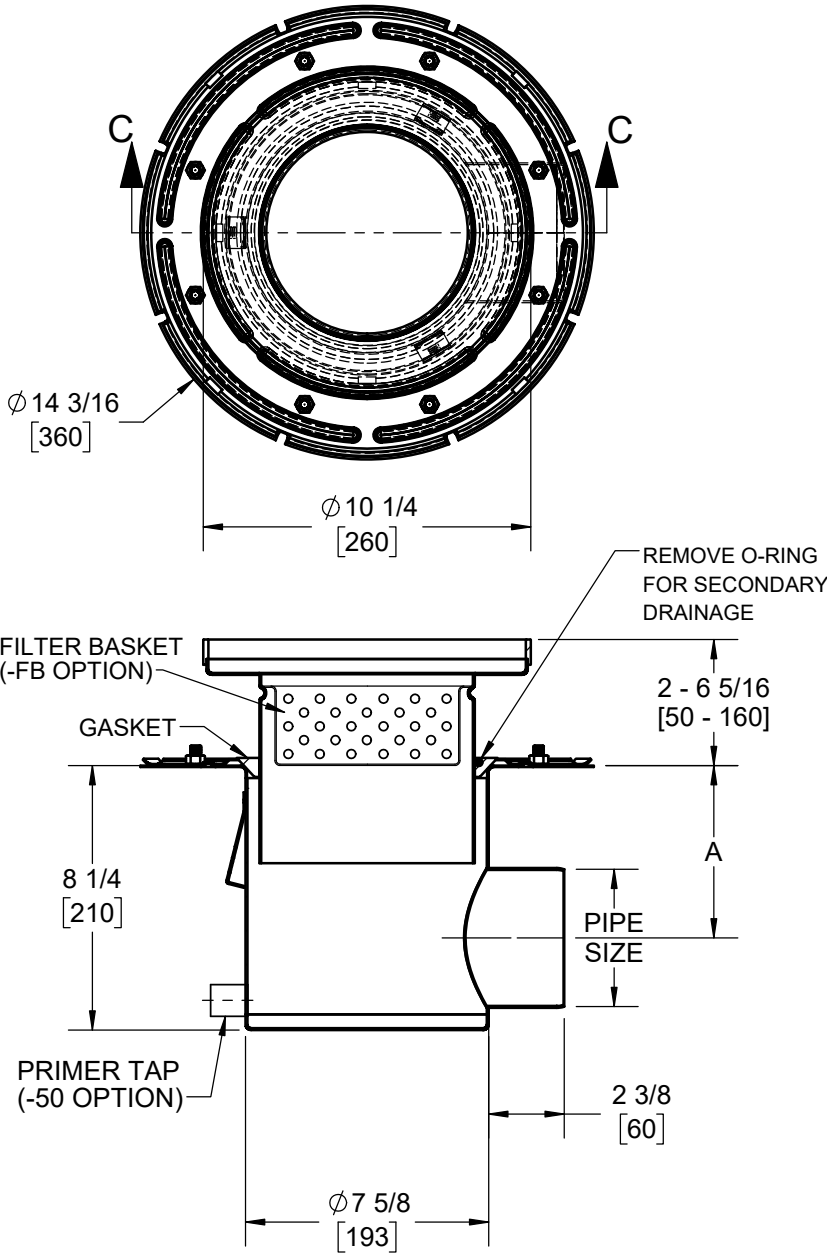
SS DRAIN

10" ROUND TOP, ADJUSTABLE SIDE OUTLET

SERIES **44570-SO**

STANDARD GRATE

FREE AREA = 19.9 IN²
MEETS ADA AND HEEL-PROOF REQMNTS.



MODEL	PIPE SIZE	A
44572-SO	2"	6.6 [168]
44573-SO	3"	6.1 [154]
44574-SO	4"	5.6 [141]

OPTIONS:

<input type="checkbox"/>	-FB	FILTER BASKET
<input type="checkbox"/>	-SB	SEDIMENT BUCKET
<input type="checkbox"/>	-VP	SECURED GRATE
<input checked="" type="checkbox"/>	-SO	SIDE OUTLET
<input type="checkbox"/>	-50	1/2" PRIMER TAP
<input type="checkbox"/>	-T	THREADED OUTLET
<input type="checkbox"/>	-316	TYPE 316L MATERIAL
<input type="checkbox"/>	-BW	BUTT-WELD OUTLET (SPEC. 10, 40, 80)

<input type="checkbox"/>	-PFO	PUSH-FIT OUTLET
<input type="checkbox"/>	-NG	NO GRATE
<input type="checkbox"/>	-HG	PERF. HALF GRATE
<input type="checkbox"/>	-3Q	PERF. 3/4 GRATE
<input type="checkbox"/>	-MG	MESH, ANTI-SLIP GRATE
<input type="checkbox"/>	-LG	LADDER GRATE
<input type="checkbox"/>	-SG	PERIMETER SLOT GRATE
<input type="checkbox"/>	-SK	SEALED COVER W/ EYEBOLT KEY
<input type="checkbox"/>	-SV	SEALED COVER W/ VACUUM HNDL

DATE OF LAST CHANGE: 08/18/21

DIMENSIONS ARE SUBJECT TO MANUFACTURERS TOLERANCES AND CHANGE WITHOUT NOTICE. WE CAN ASSUME NO RESPONSIBILITY FOR USE OF SUPERSEDED OR VOID DATA.

JOSAM

MICHIGAN CITY, INDIANA

NOTES