

SPECIFICATION:

JOSAM SERIES 46300 FABRICATED STAINLESS STEEL (TYPE 304, 2mm THK), 6" WIDE, V-SHAPED BOTTOM, AVAILABLE WITH OR WITHOUT SLOPE (1% STD.), WITH ANCHOR TABS AND LEVELING FEET, NO-HUB BOTTOM OUTLET AND GRATE OPTIONS. RUN LENGTHS LONGER THAN 13' PROVIDED WITH FLANGES AND GASKETS.

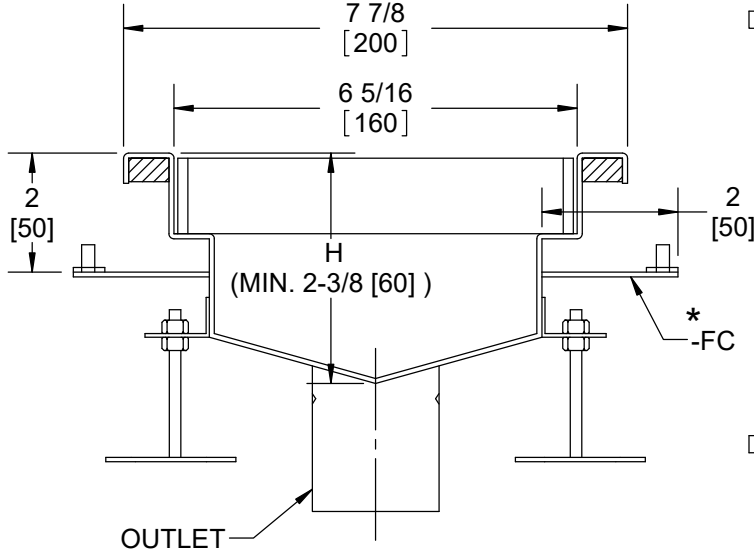
SS TRENCH CHANNEL

6" WIDE

SERIES **46300** (XY)

SEE 46300 TOPS DRAWING FOR GRATE DETAILS

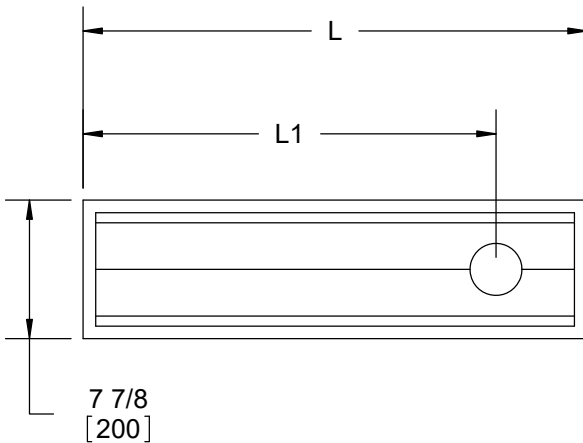
SPECIFICATIONS:



- LINEAR RUN
 - TOTAL RUN LENGTH (L) = _____
 - * START HEIGHT (H1) (STD. 2-3/8" [60]) = _____
 - HEIGHT AT OUTLET (H2) = _____
 - OR STD 1% SLOPE
 - OUTLET AT END OF RUN
 - OUTLET MID-RUN (SPEC. LNPTH L1) = _____

- NON-LINEAR RUN
 - PROVIDE SKETCH WITH CRITICAL LENGTH AND HEIGHT DIMENSIONS AND OUTLET LOCATION(S).

* WHEN -FC IS SPECIFIED, START HEIGHT (H1) IS MIN. 4" [102]



* 2" AND 3" OUTLETS USE FLAT STRAINER

AUTHORIZED PROJECT SIGNATURE AND DATE:

NAME:

TITLE:

SIGNATURE:

DATE:

NOTE: ALL SS TRENCH CHANNELS ARE CUSTOM FABRICATED. ORDERS ARE NON-CANCELLABLE AND NON-RETURNABLE.

OPTIONS:

-FB	FILTER BASKET*
-SB	SEDIMENT BUCKET (N/A 2", 3")
-VP	SECURED GRATE
-316	TYPE 316L MATERIAL
-BW	BUTT-WELD OUTLET (SPEC. 10, 40, 80)
-T	THREADED OUTLET (2"-3")
-PFO	PUSH-FIT OUTLET DIAMETER
-FC*	FLANGE AND CLAMP

X = GRATE TYPE

0	NO GRATE
1	PERFORATED SHEET GRATE
2	ANTI-SLIP MESH GRATE
3	PERIMETER SLOT GRATE
4	LADDER GRATE

Y = OUTLET SIZE

2"
3"
4"

WARNING: Cancer and Reproductive Harm - www.P65Warnings.ca.gov

DATE OF LAST CHANGE: 07/12/23 BT

DIMENSIONS ARE SUBJECT TO MANUFACTURERS TOLERANCES AND CHANGE WITHOUT NOTICE. WE CAN ASSUME NO RESPONSIBILITY FOR USE OF SUPERSEDED OR VOID DATA.



NOTES