

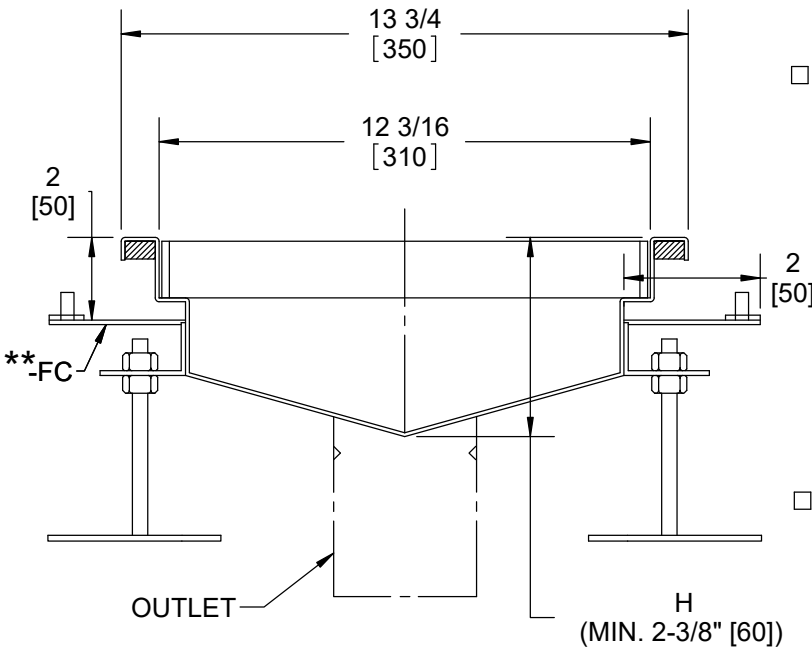
SPECIFICATION:

JOSAM SERIES 46600 FABRICATED STAINLESS STEEL (TYPE 304, 2mm THK), 12" WIDE, V-SHAPED BOTTOM, AVAILABLE WITH OR WITHOUT SLOPE (1% STD.), WITH ANCHOR TABS AND LEVELING FEET, NO-HUB BOTTOM OUTLET AND GRATE OPTIONS. RUN LENGTHS LONGER THAN 13' PROVIDED WITH FLANGES AND GASKETS.

SS TRENCH CHANNEL

12" WIDE

SERIES **46600** (XY)



SPECIFICATIONS:

LINEAR RUN

TOTAL RUN LENGTH (L) = _____

* START HEIGHT (H1) (STD. 2-3/8" [60]) = _____

HEIGHT AT OUTLET (H2) = _____

OR STD 1% SLOPE

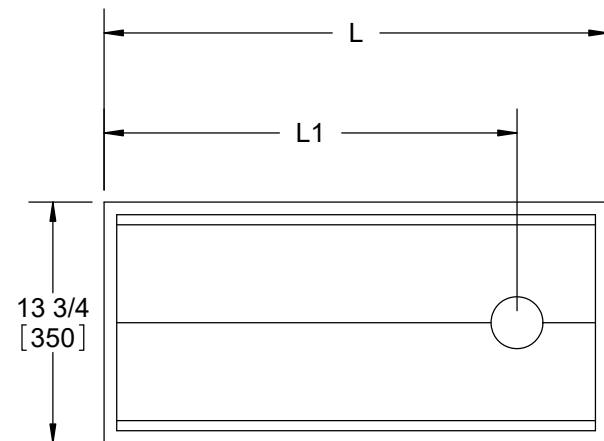
OUTLET AT END OF RUN

OUTLET MID-RUN (SPEC. LNTH L1) = _____

NON-LINEAR RUN

PROVIDE SKETCH WITH CRITICAL LENGTH AND HEIGHT DIMENSIONS AND OUTLET LOCATION(S).

** WHEN -FC IS SPECIFIED, START HEIGHT (H1) IS MIN. 4" [102]



*2" AND 3" OUTLETS USE FLAT STRAINER

OPTIONS:

-FB	FILTER BASKET *
-SB	SEDIMENT BUCKET (N/A 2", 3")
-VP	SECURED GRATE
-316	TYPE 316L MATERIAL
-BW	BUTT-WELD OUTLET (SPEC. 10, 40, 80)
-T	THREADED OUTLET (2"-6")
-PFO	PUSH-FIT OUTLET DIAMETER
-FC**	FLANGE AND CLAMP
-OPH	OUTLET PLUG WITH HANDLE

*

AUTHORIZED PROJECT SIGNATURE AND DATE:

NAME: _____

TITLE: _____

SIGNATURE: _____

DATE: _____

NOTE: ALL SS TRENCH CHANNELS ARE CUSTOM FABRICATED. ORDERS ARE NON-CANCELLABLE AND NON-RETURNABLE.

X = GRATE TYPE

Y = OUTLET DIA (NOM.)

0	NO GRATE
1	PERFORATED SHEET GRATE
2	ANTI-SLIP MESH GRATE
3	PERIMETER SLOT GRATE
4	LADDER GRATE

2"
3"
4"
6"
8"

WARNING: Cancer and Reproductive Harm - www.P65Warnings.ca.gov

DATE OF LAST CHANGE: 07/12/23 BT

DIMENSIONS ARE SUBJECT TO MANUFACTURERS TOLERANCES AND CHANGE WITHOUT NOTICE. WE CAN ASSUME NO RESPONSIBILITY FOR USE OF SUPERSEDED OR VOID DATA.

JOSAM
MICHIGAN CITY, INDIANA

NOTES