

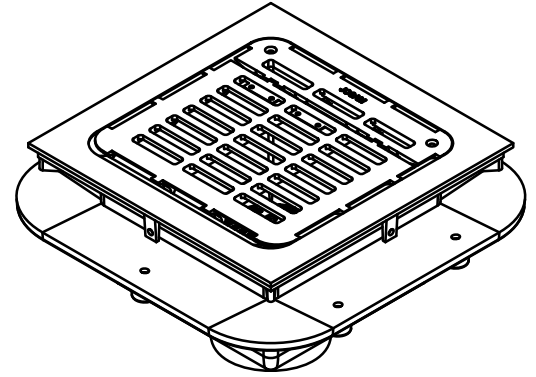
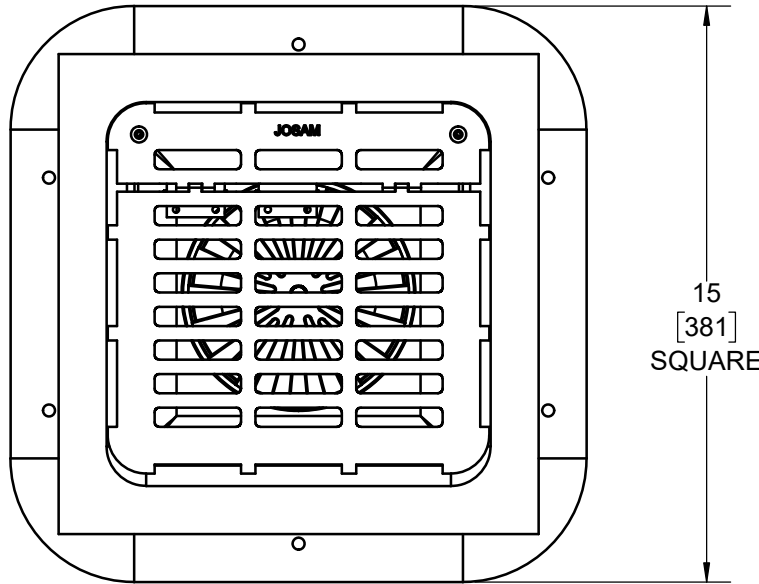
SPECIFICATION:

JOSAM SERIES 49320A SQUARE CAST IRON 5-7/8 DEEP SUPER-FLO-SEPTOR® FLOOR SINK WITH ACID RESISTING INTERIOR, DOUBLE DRAINAGE FLANGE WITH WEEP HOLES, BOTTOM OUTLET, ALUMINUM INTERNAL DOME STRAINER AND NIKALOY RIM WITH A HINGED GRATE.

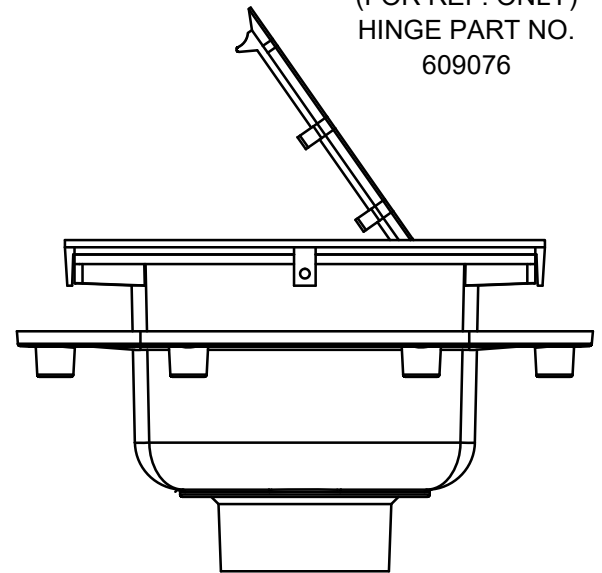
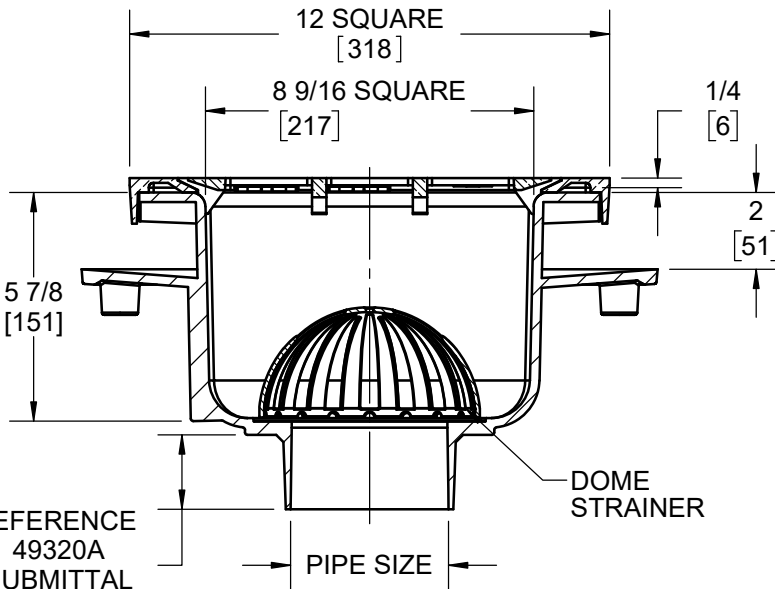
SANITARY FLOOR SINK

12" SQUARE TOP, 6" DEEP

SERIES **49320A-NB-HG**



SHOWN OPEN
(FOR REF. ONLY)
HINGE PART NO.
609076



WARNING: Cancer and Reproductive Harm - www.P65Warnings.ca.gov

	2"	PIPE SIZE		-X	INSIDE CAULK OUTLET
	3"	PIPE SIZE		-Y	HUB OUTLET WITH GASKET (2" THRU 4")
	4"	PIPE SIZE		-Z	NO-HUB OUTLET
	6"	PIPE SIZE			

DATE OF LAST CHANGE: 08/22/22 BLK

DIMENSIONS ARE SUBJECT TO MANUFACTURERS TOLERANCES AND CHANGE WITHOUT NOTICE. WE CAN ASSUME NO RESPONSIBILITY FOR USE OF SUPERSEDED OR VOID DATA.

JOSAM
MICHIGAN CITY, INDIANA

NOTES