

SPECIFICATION:

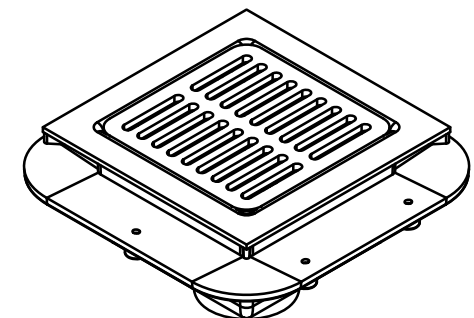
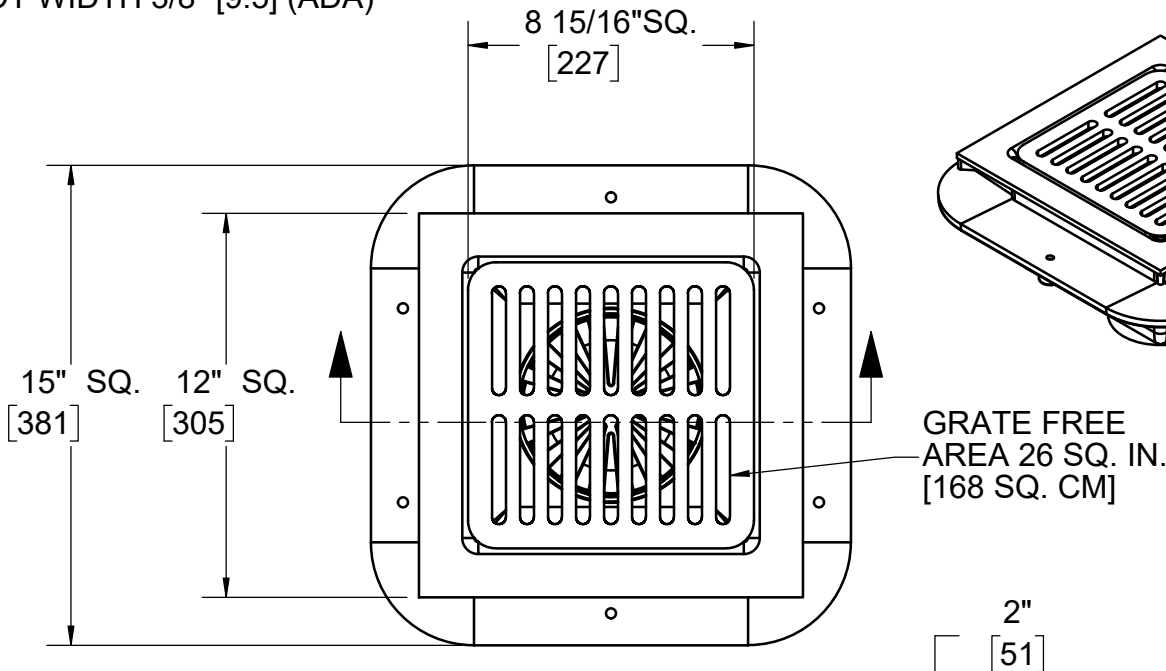
JOSAM 49320A SERIES SQUARE CAST IRON 5-7/8" [149] DEEP SUPER-FLO-SEPTOR® FLOOR SINK WITH ACID RESISTING INTERIOR, DOUBLE DRAINAGE FLANGE WITH WEEPHOLES, BOTTOM OUTLET, ALUMINUM INTERNAL DOME STRAINER AND CAST IRON NON-TRAFFIC, ACID RESISTING, ANTI-TILTING GRATE.

SANITARY FLOOR SINK

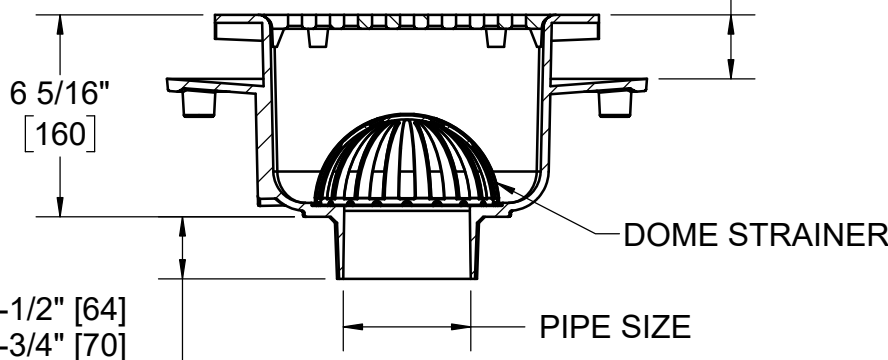
12" SQUARE TOP, 6" DEEP

SERIES **49320A**

SLOT WIDTH 3/8" [9.5] (ADA)



GRATE FREE AREA 26 SQ. IN. [168 SQ. CM]



- X (2" - 3") = 2-1/2" [64]
- X (4" - 6") = 2-3/4" [70]
- Y (2" - 4") = 2" [51]
- Z (2" - 4") = 2-1/16" [52]

	PIPE SIZE
	2"
	3"
	4"
	6"

Δ	-LF	LESS FLANGE
Δ	-NB	NICKEL BRONZE TRAFFIC TOP
	-LG	LESS GRATE
	-3	HALF (1/2) GRATE
	-4	THREE-QUARTER (3/4) GRATE
	-5	NIK. EXTRA HVY-DUTY GRATE & RIM (NOT SUPER-FLO)
	-7	FULL GRATE WITH 2-1/2" CENTER OPENING
	-8	STAINLESS STEEL DEPRESSED GRATE
	-15	STAINLESS STEEL RIM & GRATE
	-16	GRATE WITH 4" ROUND FUNNEL
	-17	GRATE WITH 6" ROUND FUNNEL

	-18	GRATE WITH 9" x 3-1/2" OVAL FUNNEL
	-31	SEDIMENT BUCKET, ALUMINUM
	-33	SEDIMENT BUCKET, ACID RESISTANT FINISH
	-35	BUCKET LINER (STAINLESS STEEL MESH)
*	-43	INTEGRAL DOME STRAINER, ACID RESISTANT FINISH
	-45	LESS INTERNAL DONE STRAINER
	-55	1/2" PRIMER TAP (6") ADAPTER, 88450 PROVIDED (2"-4")
	-C	CLAMP DEVICE
	-TGI	TRAP GUARD INSERT (2"-4")
	-X	INSIDE CAULK OUTLET
	-Y	HUB OUTLET WITH GASKET (2"-4")
	-Z	NO-HUB OUTLET (2" - 4")

Δ SEPARATE SUBMITTAL FOR THIS OPTION AVAILABLE

*MUST ALSO SPECIFY -31 OR -33 OPTION

DATE OF LAST CHANGE: 05/11/22

DIMENSIONS ARE SUBJECT TO MANUFACTURERS TOLERANCES AND CHANGE WITHOUT NOTICE. WE CAN ASSUME NO RESPONSIBILITY FOR USE OF SUPERSEDED OR VOID DATA.



MICHIGAN CITY, INDIANA

NOTES