

SPECIFICATION:

JOSAM 60100-SA-ET SERIES EPOXY COATED FABRICATED STEEL SEMI-AUTOMATIC GREASE INTERCEPTOR, DEEP ROUGHING FLUSH-WITH-FLOOR TYPE WITH THREADED CONNECTIONS, INTERNAL AIR-RELIEF, VISIBLE DOUBLE WALL TRAP, REMOVABLE BAFFLE, GASKETED NON-SKID COVER, GREASE RECOVERY CONE, FLEXIBLE HOSE, GREASE DRAW-OFF VALVE, FLOW CONTROL FITTING AND STEEL ENCLOSURE CABINET WITH NON-SKID COVER AND ADJUSTABLE INTERCEPTOR CARRIER BRACKETS.

GREASE INTERCEPTOR

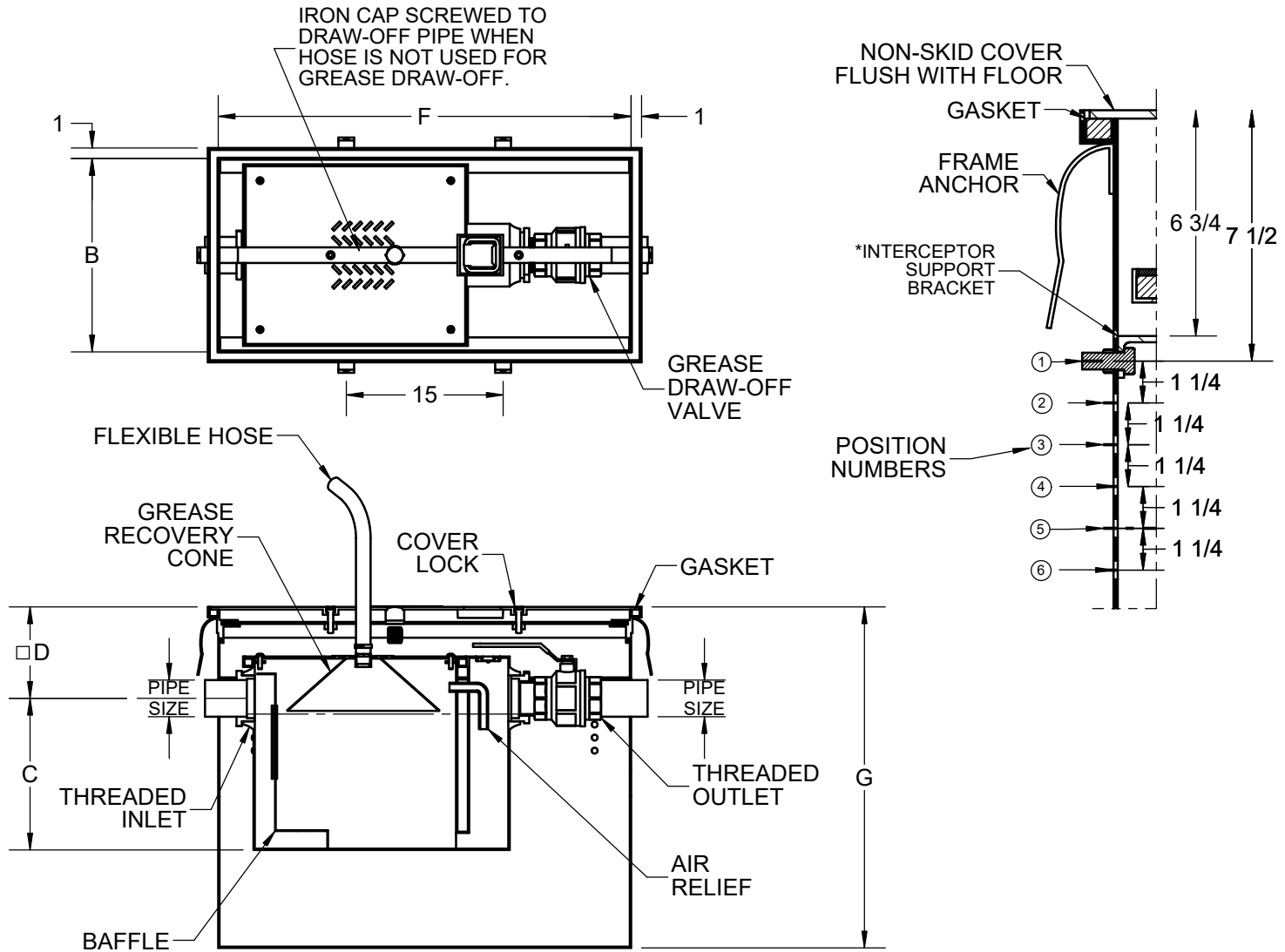
**SEMI-AUTOMATIC
ENCLOSED TYPE**

SERIES 60100-SA-ET

FORMERLY 60140-50A SERIES

NOTE: HEIGHT OF 13" REQUIRED FROM TOP OF INTERCEPTOR TO BOTTOM OF FIXTURE.

NOTE: INTERCEPTOR SUPPORT BRACKETS ADJUSTABLE FOR VARYING DEPTHS OF FLOOR CONSTRUCTION.



| | | |
|---|-------|---|
| | -62* | 4" INLET & OUTLET (AVAIL. ON STD. 3" SIZES) |
| | -65** | HUB INLET, SPIGOT OULET, 2" |
| | -66** | HUB INLET, SPIGOT OULET, 3" |
| | -67** | HUB INLET, SPIGOT OULET, 4" |
| | -85 | ENZYMATIC PORT IN COVER |
| X | -ET | ENCLOSED TYPE |

| | TYPE | FLOW RATE | CAP. (LBS.) | PIPE SIZE | B | C | □D | E | F | G |
|--|-------------|-----------|-------------|-----------|--------|--------|--------|--------|--------|--------|
| | 60102-SA-ET | 7 | 14 | 2" | 11 | 7-3/8 | 7-5/8 | 20-1/2 | 27-1/2 | 24-5/8 |
| | 60103-SA-ET | 10 | 20 | 2" | 12-5/8 | 8-3/8 | 8-1/4 | 22 | 29 | 25-7/8 |
| | 60104-SA-ET | 15 | 30 | 2" | 13-3/4 | 9-3/8 | 9-3/8 | 24-1/4 | 31-1/4 | 27-1/8 |
| | 60105-SA-ET | 20 | 40 | 2" | 16 | 11-1/2 | 10 | 27 | 34 | 29-1/8 |
| | 60106-SA-ET | 25 | 50 | *3" | 17-1/2 | 13 | 9-3/4 | 32 | 38 | 31-1/2 |
| | 60107-SA-ET | 35 | 70 | *3" | 18-1/2 | 14-1/2 | 9-3/8 | 33-5/8 | 39-1/2 | 32-5/8 |
| | 60108-SA-ET | 50 | 100 | *3" | 20-3/4 | 15-1/2 | 10-1/4 | 37-1/4 | 43-1/8 | 34-5/8 |
| | 60109-SA-ET | 75 | 150 | *3" | 23 | 17-1/2 | 11-3/8 | 41-1/2 | 46-3/4 | 37-1/2 |

**
-65 FOR MODELS 60102-SA - 60105-SA
-66 AND -67 FOR MODELS 60106-SA - 60109-SA

*3" SIZES NORMALLY FURNISHED WITH 4"x3" REDUCING BUSHING

□ DIMENSIONS BASED ON INTERCEPTOR IN POSITION #1; ADD 1-1/4" PER EACH SUCCEEDING LOWER POSITION.

DATE OF LAST CHANGE: 6/16/23 JTJ

DIMENSIONS ARE SUBJECT TO MANUFACTURERS TOLERANCES AND CHANGE WITHOUT NOTICE. WE CAN ASSUME NO RESPONSIBILITY FOR USE OF SUPERSEDED OR VOID DATA.

JOSAM
MICHIGAN CITY, INDIANA

NOTES

WARNING: Cancer and Reproductive Harm - www.P65Warnings.ca.gov