

**SPECIFICATION:**

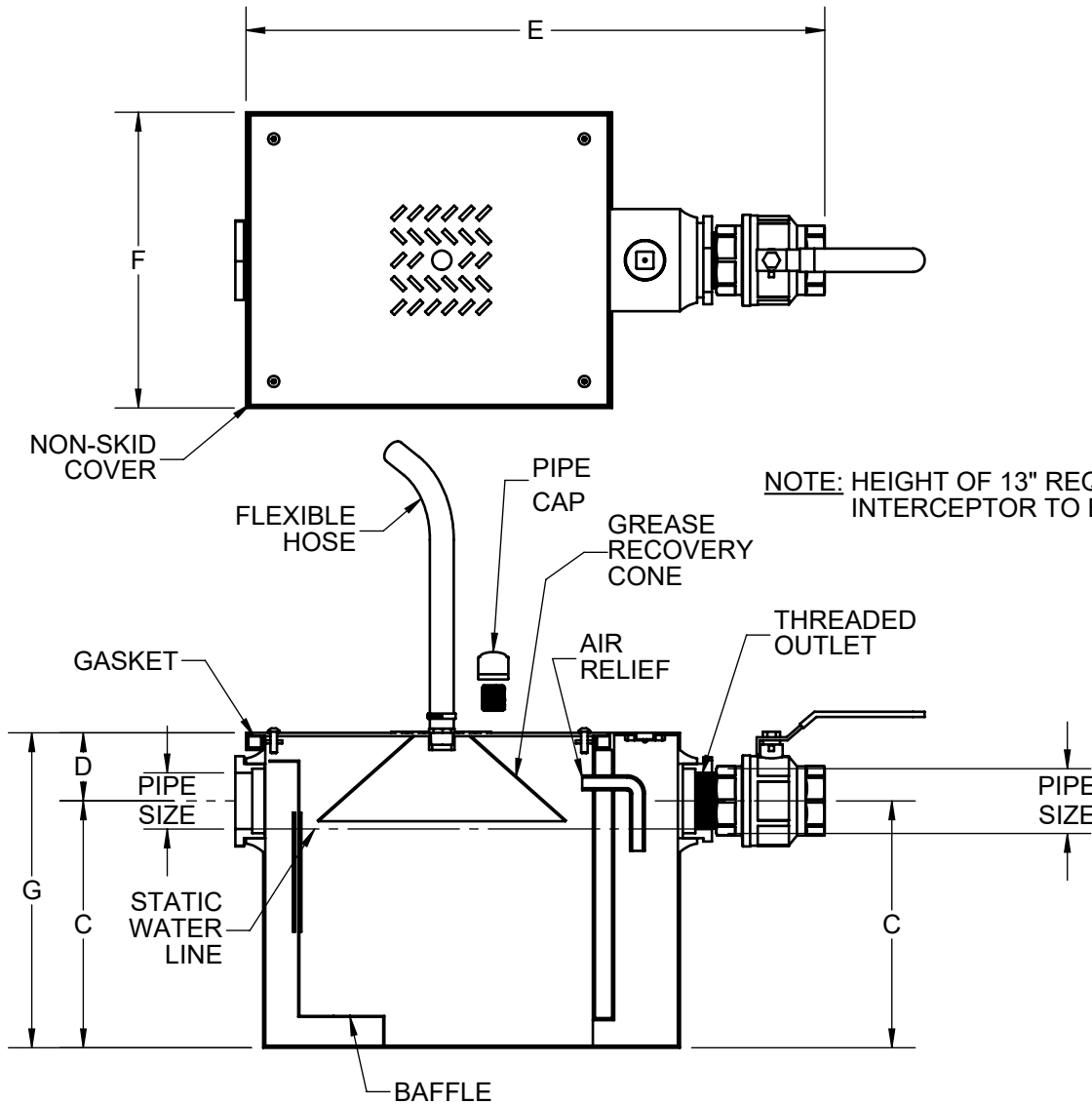
JOSAM 60100-SA SERIES EPOXY COATED FABRICATED STEEL SEMI-AUTOMATIC GREASE INTERCEPTOR WITH THREADED CONNECTIONS, INTERNAL AIR-RELIEF, VISIBLE DOUBLE WALL TRAP, REMOVABLE BAFFLE, GASKETED NON-SKID COVER, GREASE RECOVERY CONE, FLEXIBLE HOSE, GREASE DRAW-OFF VALVE AND FLOW CONTROL FITTING.

**GREASE INTERCEPTOR**

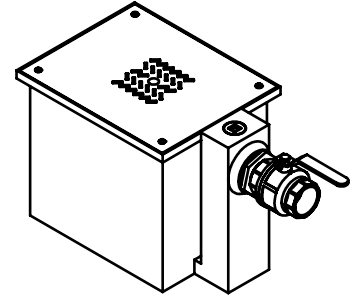
**SEMI-AUTOMATIC ON-FLOOR TYPE**

**SERIES 60100-SA**

FORMERLY 60100-50A



**NOTE:** HEIGHT OF 13" REQUIRED FROM TOP OF INTERCEPTOR TO BOTTOM OF FIXTURE.



	-62*	4" INLET & OUTLET
	-65**	2" HUB INLET, SPIGOT OUTLET
	-66**	3" HUB INLET, SPIGOT OUTLET
	-67**	4" HUB INLET, SPIGOT OUTLET
	-85	ENZYMATIC PORT IN COVER
△	-RT	RECESSED TYPE
△	-ET	ENCLOSED TYPE

	TYPE	FLOW RATE	CAP. (LBS.)	PIPE SIZE	C	D	E	F	G
	60102-SA	7	14	2"	7-3/8	2-5/8	20-1/2	10	10
	60103-SA	10	20	2"	8-3/8	2-7/8	22	11-1/2	11-1/4
	60104-SA	15	30	2"	9-3/8	4	24-1/4	12-3/4	13-3/8
	60105-SA	20	40	2"	11-1/2	4	27	14-7/8	15-1/2
	60106-SA	25	50	*3"	13	4-3/8	32	16-1/2	17-3/8
	60107-SA	35	70	*3"	14-1/2	4	33-5/8	17-1/2	18-1/2
	60108-SA	50	100	*3"	15-1/2	4-7/8	37-1/4	19-3/4	20-3/8
	60109-SA	75	150	*3"	17-1/2	6	40-5/8	22	23-1/2

\*3" SIZES NORMALLY FURNISHED WITH 4" x 3" REDUCING BUSHING

△ SEPARATE SUBMITTAL FOR THIS OPTION AVAILABLE

\*\*  
-65 FOR MODELS 60102-SA - 60105-SA  
-66 AND -67 FOR MODELS 60106-SA - 60109-SA

WARNING: Cancer and Reproductive Harm - www.P65Warnings.ca.gov

DATE OF LAST CHANGE: 06/15/23

DIMENSIONS ARE SUBJECT TO MANUFACTURERS TOLERANCES AND CHANGE WITHOUT NOTICE. WE CAN ASSUME NO RESPONSIBILITY FOR USE OF SUPERSEDED OR VOID DATA.



MICHIGAN CITY, INDIANA

NOTES