

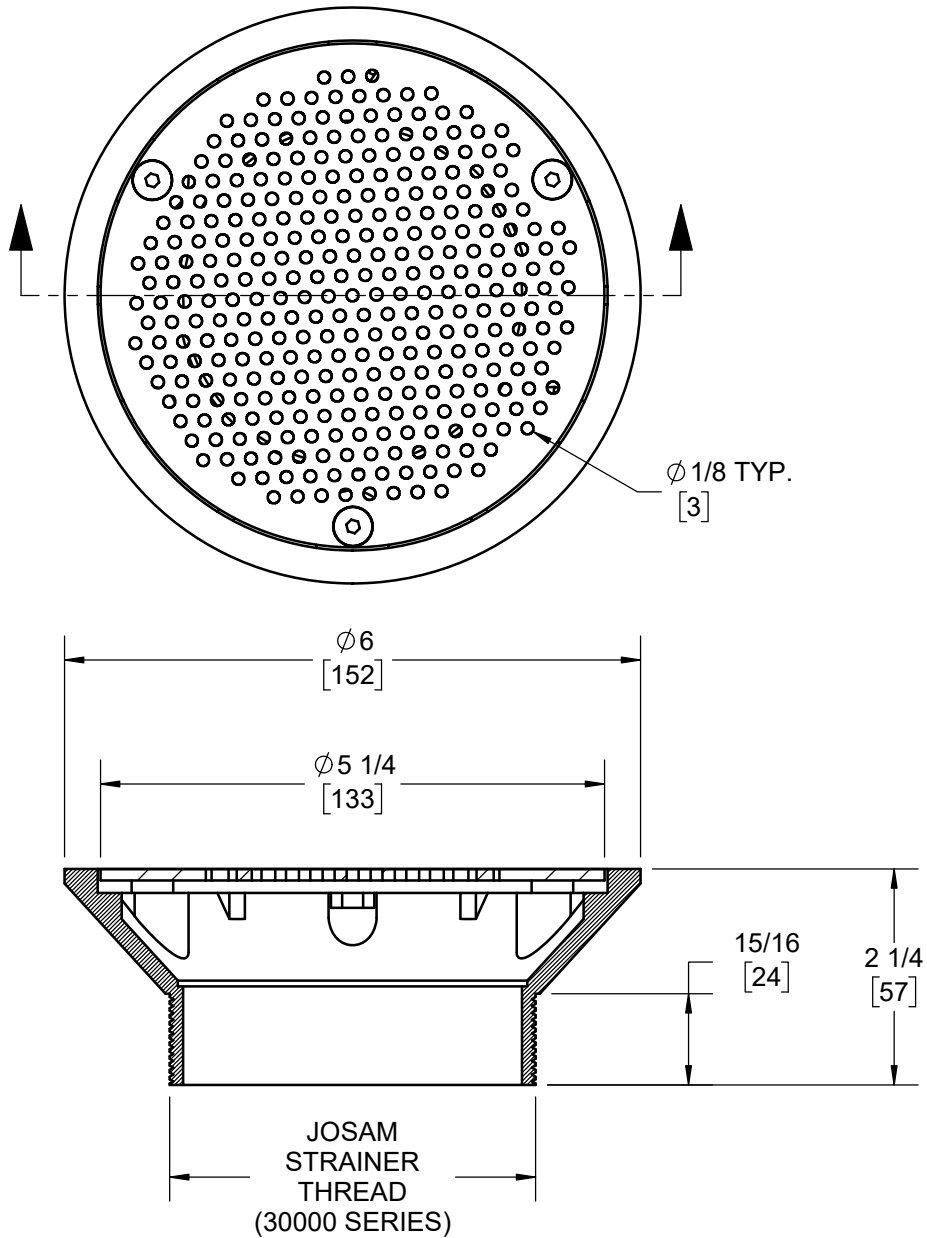
SPECIFICATION:

JOSAM SERIES 6A-SS-LR ANTI-LIGATURE ADJUSTABLE STAINLESS STEEL STRAINER WITH JOSAM ADJUSTABLE STRAINER THREAD. GRATE SECURED WITH VANDAL-RESISTANT SCREWS. FITS 30000 SERIES BODIES.

**FLOOR DRAIN
ADJUSTABLE STRAINER
ANTI-LIGATURE**

SERIES **6A-SS-LR**

FREE AREA: 4 IN²



OPTIONS:

-80	PERFORATED STAINLESS STEEL BASKET
-DBC	DEBRIS COVER
-MFP	MIRROR FINISH POLISH

NOTE:
THIS PRODUCT DOES NOT ELIMINATE
THE POSSIBILITY OF LIGATURE

WARNING: Cancer and Reproductive Harm - www.P65Warnings.ca.gov

DATE OF LAST CHANGE: 11/09/21

DIMENSIONS ARE SUBJECT TO MANUFACTURERS TOLERANCES AND CHANGE WITHOUT NOTICE. WE CAN ASSUME NO RESPONSIBILITY FOR USE OF SUPERSEDED OR VOID DATA.



MICHIGAN CITY, INDIANA

NOTES