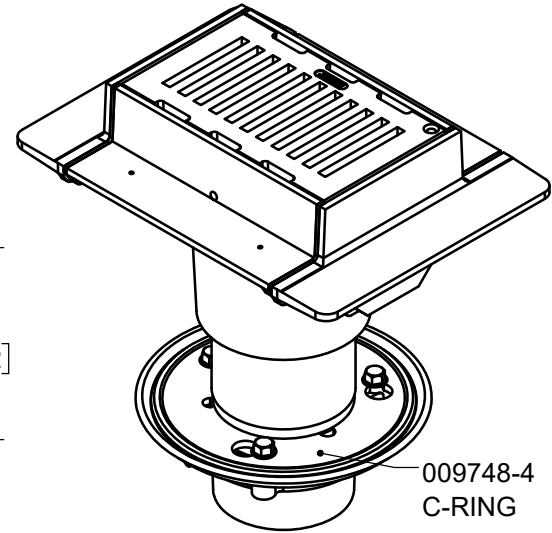


SPECIFICATION:

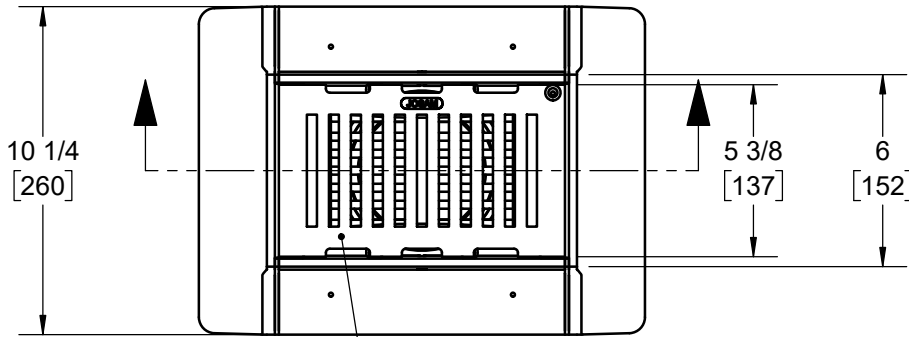
JOSAM 76000-Q109 SERIES COATED CAST IRON RECTANGULAR SECTIONAL TRENCH DRAIN (OUTLET SECTION ONLY) WITH HEAVY DUTY BODY SECTION AND INTEGRAL ANCHOR FLANGE, LOOSE SET HEAVY DUTY SLOTTED GRATE WITH PERIMETER DRAINAGE SLOTS, 5/16" X 3-1/2" GRATE OPENINGS, SECONDARY LOOSE SET DOME STRAINER AND ADJUSTABLE BOTTOM OUTLET.

**TRENCH DRAIN
(SUPER FLO)**

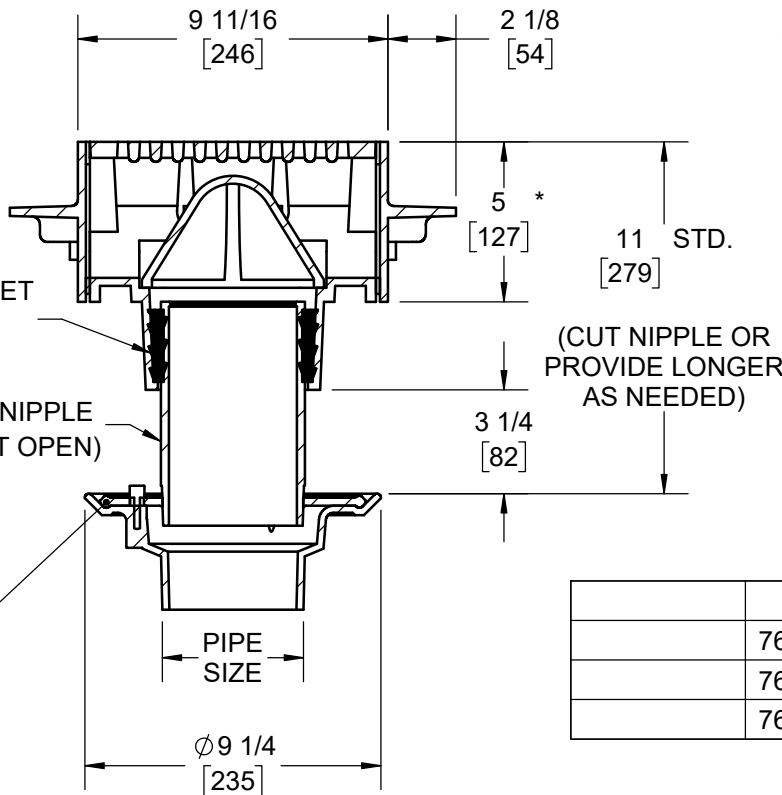
SERIES **76000-Q109**



009748-4
C-RING



OUTLET GRATE FREE AREA - 14.3 SQ. IN.



*ADD 1/4" WHEN FURNISHED WITH NIKALOY OR BRONZE TOP

OUTLET TYPE

-X	INSIDE CAULK
-Y	PUSH-ON
-Z	NO-HUB
-T	THREADED

	TYPE	PIPE SIZE
	76002-Q109	2
	76003-Q109	3
	76004-Q109	4

-1	NIKALOY TOP
-2	SATIN FINISH BRONZE TOP

PRODUCT IS NON-CANCELABLE AND NON-RETURNABLE NAME: _____ SIGNATURE: _____ DATE: _____

WARNING: Cancer and Reproductive Harm - www.P65Warnings.ca.gov

DATE OF LAST CHANGE: 05/11/21

DIMENSIONS ARE SUBJECT TO MANUFACTURERS TOLERANCES AND CHANGE WITHOUT NOTICE. WE CAN ASSUME NO RESPONSIBILITY FOR USE OF SUPERSEDED OR VOID DATA.



NOTES