

SPECIFICATION:

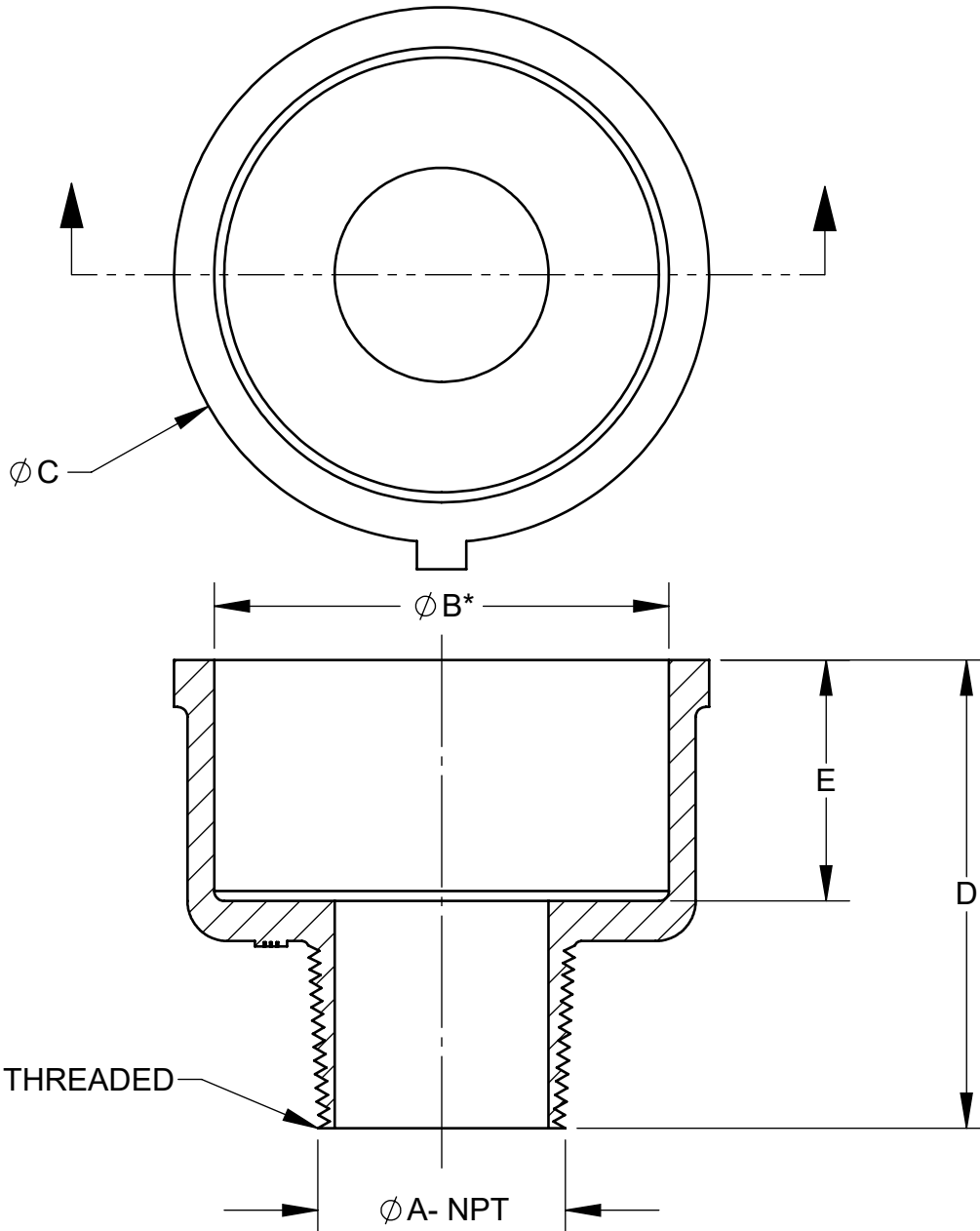
JOSAM 88600 SERIES COATED CAST IRON HUB ADAPTER WITH STANDARD CAST IRON SOIL PIPE HUB AND MALE THREADED OUTLET.

TRAPS & ACCESSORIES

REDUCING HUB ADAPTER

SERIES

88600



TYPE	PIPE SIZE OUTLET	PIPE SIZE INLET	A	B*	C	D	E
88603-2	2"	3"	2	4-1/4	5	4-3/8	2-1/4
88604-2	2"	4"	2	5-1/4	6	4-3/8	2-1/4
88604-2 1/2	2-1/2"	4"	2-1/2	5-1/4	6	4-1/4	2-1/4
88604-3	3"	4"	3	5-1/4	6	4-3/8	2-1/4
88606-4	4"	6"	4	7-1/4	8	4-3/8	2-1/4

* MEETS ASTM A-74 XH CAST IRON SOIL PIPE STANDARD

-40 GALVANIZED CAST IRON PARTS

WARNING: Cancer and Reproductive Harm - www.P65Warnings.ca.gov

DATE OF LAST CHANGE: 08/07/23 BT

DIMENSIONS ARE SUBJECT TO MANUFACTURERS TOLERANCES AND CHANGE WITHOUT NOTICE. WE CAN ASSUME NO RESPONSIBILITY FOR USE OF SUPERSEDED OR VOID DATA.

JOSAM

MICHIGAN CITY, INDIANA

NOTES