

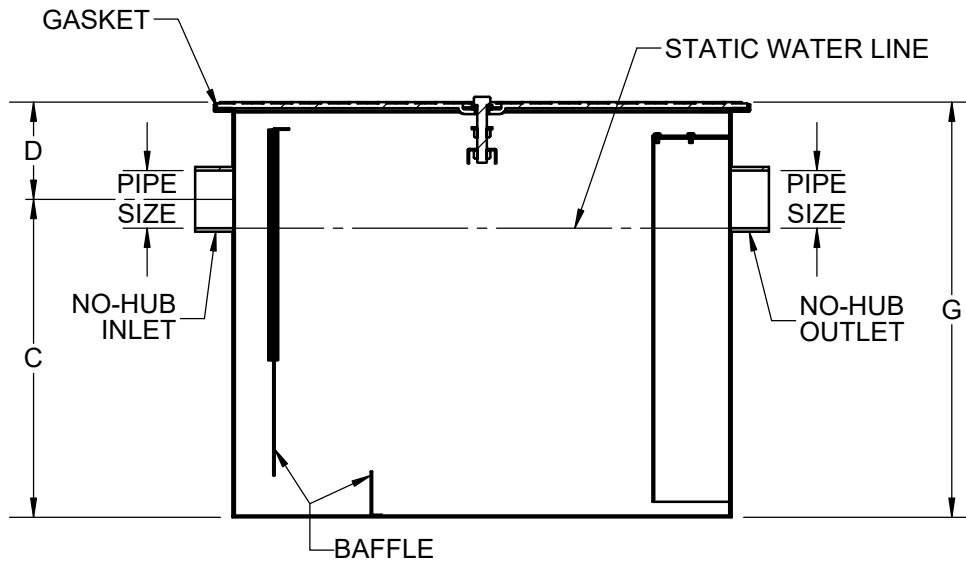
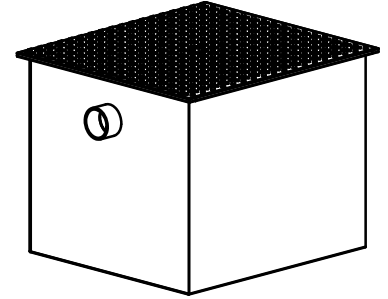
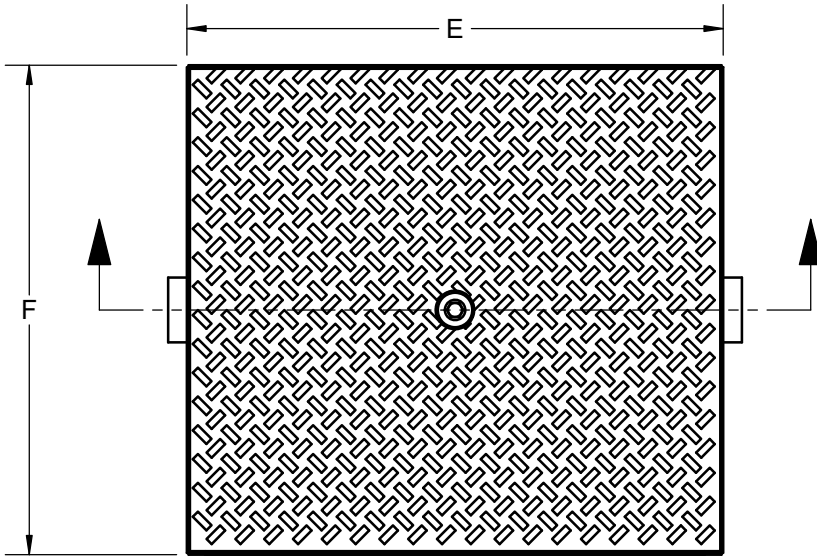
SPECIFICATION:

JOSAM JG-0100S SERIES ACID-RESISTING EPOXY COATED FABRICATED STEEL GREASE INTERCEPTOR, NO-HUB CONNECTIONS, INTERNAL TRAP, REMOVABLE BAFFLE, GASKETED NON-SKID COVER AND FLOW CONTROL FITTING.

**GREASE INTERCEPTOR
MANUAL TYPE**

SERIES **JG-0100S**

CONFORMS TO PLUMBING AND DRAINAGE INSTITUTE STANDARD PDI-G101 AND ASME A112.43



-EXT*	6" EXTENSION (ADD 6" TO "D" AND "G" DIMS.)
-------	---

PRODUCT IS NON-CANCELABLE AND NON-RETURNABLE

NAME: _____

SIGNATURE: _____

DATE: _____

* THESE OPTIONS REQUIRE SIGNATURE - NON CANCELABLE NON RETURNABLE

TYPE	FLOW (GPM)	CAP. (LBS.)	PIPE SIZE	C	D	E	F	G
JG-0102S	7	14	2	8-1/4	3-3/8	14-7/8	13	11-5/8
JG-0103S	10	20	2	8-1/2	3-3/8	16-5/8	14-1/2	11-7/8
JG-0104S	15	30	2	9-1/2	3-3/8	20-3/8	17	12-7/8
JG-0105S	20	40	3	12	4-7/8	20-7/8	19	16-7/8
JG-0106S	25	50	3	13	4-7/8	23-3/8	21-1/2	17-3/8
JG-0107S	35	70	3	14-1/2	4-7/8	26-1/8	23	19-3/8
JG-0108S	50	100	3	16-1/2	4-7/8	27-7/8	25-1/2	21-3/8
JG-0109S	75	150	3	21	6	41	31	27
JG-0110S	100	200	4	23	8	47	35	31

WARNING: Cancer and Reproductive Harm - www.P65Warnings.ca.gov

DATE OF LAST CHANGE: 08/28/20

DIMENSIONS ARE SUBJECT TO MANUFACTURERS TOLERANCES AND CHANGE WITHOUT NOTICE. WE CAN ASSUME NO RESPONSIBILITY FOR USE OF SUPERSEDED OR VOID DATA.



MICHIGAN CITY, INDIANA

NOTES